



Aleta Stool

BY JAIME HAYON

Aleta Stool

BY JAIME HAYON

Technical Info EN

2017



Inspired by the physiognomy and movement of sharks, Jaime Hayon has created the ALETA collection for Viccarbe.

The collection is designed and created for use in public spaces like restaurants, hotels or offices as well as residential spaces.

Composed of a chair and stool. The subtle details in the structure of the legs and the continuous movement towards its backrest, reflects the personality and character of Jaime Hayon.

Jaime Hayon

Spanish artist-designer Jaime Hayon was born in Madrid in 1974. After studying industrial design in Madrid and Paris he joined Fabrica – the Benetton-funded design and communication academy in Italy- in 1997 where he directed the design department until 2003. Hayon set up his own studio practice in the year 2000 and dedicated himself fully to his personal projects from 2003 onward, today he is one of the most acclaimed creators worldwide.

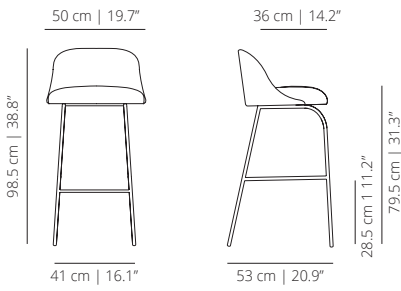
He has created furniture ranges for iconic danish company Fritz Hansen, Magis, Established and Sons, Bisazza, B.D. Barcelona, Se London, Bernhardt Design, Ceccotti and Moooi. Hayon has designed various lighting fixtures collections for Metalarte and also in collaboration with Swarovski and Baccarat. He has created accessories for Piper Heidsieck, Gaia and Gino and The Rug Company. He designed his first wristwatch collection for a new Swiss watch brand OROLOG which launched in late 2013. These collections have put Jaime at the forefront a new wave of creators that blurred the lines between art, decoration and design and a renaissance in finely-crafted, intricate objects within the context of contemporary design culture.

With offices in Italy, Spain and Japan, Hayon's main interest is to find challenges and new perspectives continuously.

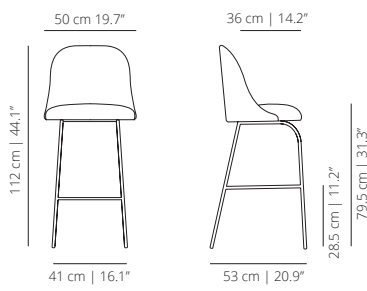


FIXED BAR STOOL

ALTAFC
stool

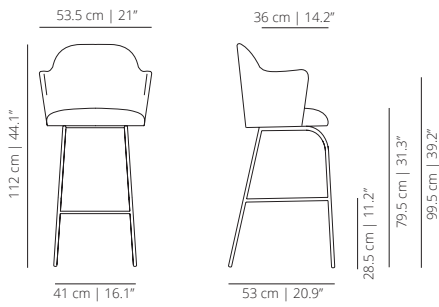


ALTAFCB
high backrest stool



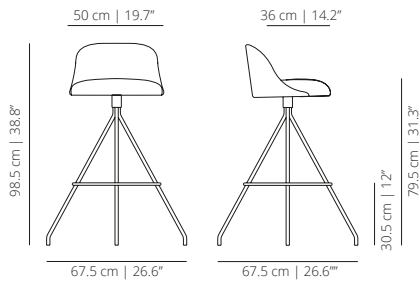
FIXED BAR STOOL

ALTAHBR
high backrest stool with armrest



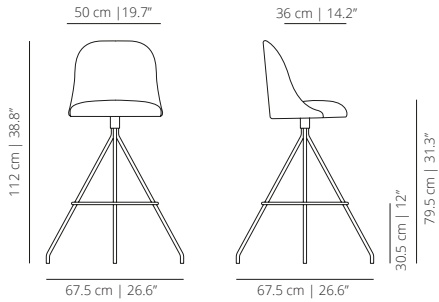
SWIVEL BAR STOOL

ALTABAR
stool

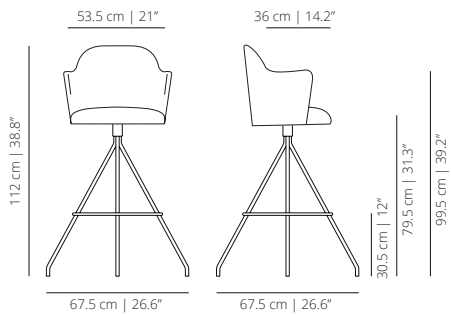


SWIVEL BAR STOOL

ALTABARH
high backrest stool

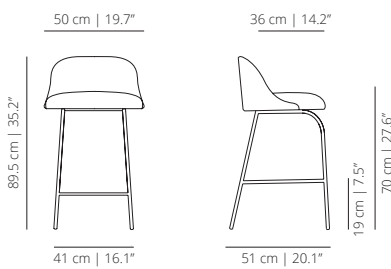


ALTABARHBR
high backrest stool with armrest

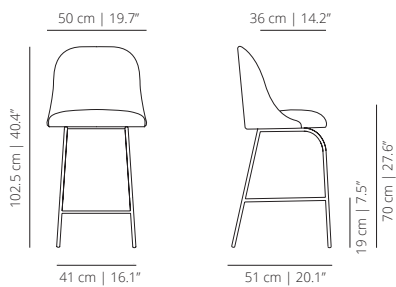


FIXED COUNTER STOOL

ALTAFC
stool



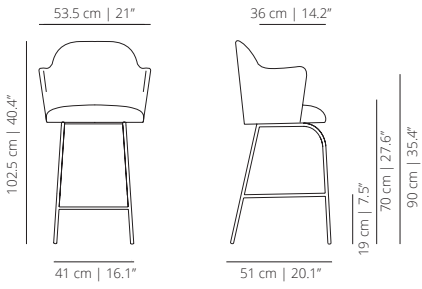
ALTAFCB
high backrest stool



FIXED COUNTER STOOL

ALTAFCHBR

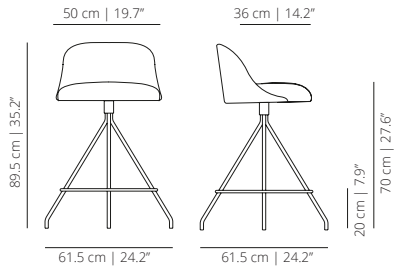
high backrest stool with armrest



SWIVEL COUNTER STOOL

ALTACO

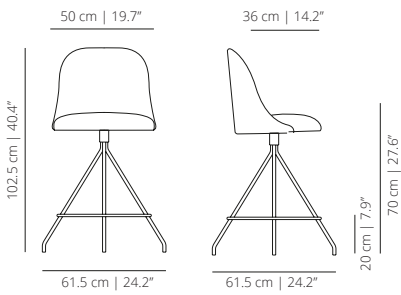
stool



SWIVEL COUNTER STOOL

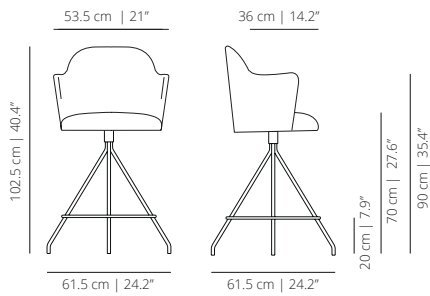
ALTACOH

high backrest stool



ALTACOHBR

high backrest stool with armrest



FINISHES

Upholstery

Check upholstery samples.

STRUCTURE



brass*

Powder coated



white
RAL 9003



black
RAL 9005



altea blue
RAL 5000



sand
RAL 1019

Stained (Oak)



matt oak



cognac



wenge



ash

**in metal base chair, bar stool and counter stool*

TECHNICAL INFO

Seat and backrest moulded in plywood coated with expanded polyurethane foam.

Base options:

Fixed stool – Calibrated steel structure powder coated in thermoreinforced polyester in white, black, sand or altea blue and footrest in stainless steel.

Swivel counter stool – Calibrated steel swivel structure powder coated in thermoreinforced polyester in white, black, sand or altea blue and footrest in stainless steel.

Swivel counter stool – Calibrated steel swivel structure powder coated in thermoreinforced polyester in white, black, sand or altea blue and footrest in stainless steel.

CERTIFICATIONS

ANSI BIFMA X5. 4 -2012 (swivel stool)

ANSI BIFMA X5. 4 -2012 and UNE-EN 16139:2013 vc 2015 (fixed stool)



viccarbe