

Fielding Worktables

Enjoying being different

orangebox



Product Description

Fielding worktables and café height tables come in seventeen different designs and can accommodate from four to eight people. Seven of the Fielding worktables feature split, two level tops and another four feature single tops, while at café height there are two tables of each type.

Every Fielding table features a generous, fabric-covered hollow structure under the worktop, designed to be positioned over standard raised floor boxes and accommodate abundant power and data cabling, as well as additional technology. A concealed panel door allows air to circulate inside the structure and provides secure access to the technology.

Set at a tangent to the hollow structure is a slender frame made of square steel tubing: this structural frame – which features concealed adjustable feet – adds architectural interest, and provides users with generous leg space.

Both split top and single top Fielding tables offer a range of standard Orangebox on-top power/data units. And, like the BAE tables, they also offer lift-off circular disc lids allowing ample below-top power boxes and the option to specify our unique Pablo LED table light.

Two single top media tables, for four or six people, can be specified with a structural tower that either houses additional technology, accessed via a large secure panel door, or features an open coat and bag storage space, with technology stored securely in the hollow structure below the worktop. Both options feature standard structural brackets for large monitors.

Fielding tabletops can be specified in a wealth of finishes, including a wide selection of colour laminates, seven new metallic metal finishes, refined wood laminates, and decorative graphic patterns unique to Orangebox.

Fielding worktables offer a richer, more vibrant and joyful diversity of work settings, each of which is highly practical, designed to support more focused, productive work. The table architecture and top shapes have been expressly designed to reflect the diversity and vibrancy of the contemporary office and its workforce – taking Fielding tables as far away from conventional tables as it's possible to go.

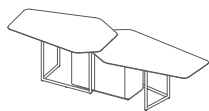


Top – FIELDING-05, Bottom – FIELDING-02



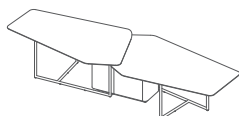
Product Range

FIELDING-01
Long stop medium



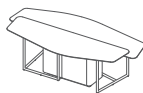
H750 [H30]
TH750 & 710 [TH30 & 28]
W3000 [W118] D1025 [D41]

FIELDING-02
Long stop large



H750 [H30]
TH750 & 710 [TH30 & 28]
W3815 [W150] D1320 [D52]

FIELDING-03
Fly slip medium



H750 [H30]
TH750 & 710 [TH30 & 28]
W2500 [W98] D1285 [D51]

FIELDING-04
Fly slip large



H750 [H30]
TH750 & 710 [TH30 & 28]
W2870 [W113] D1470 [D58]

FIELDING-05
Short leg small



H750 [H30]
TH750 & 710 [TH30 & 28]
W1800 [W71] D1765 [D71]

FIELDING-06
Short leg medium



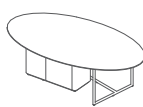
H750 [H30]
TH750 & 710 [TH30 & 28]
W2000 [W78] D1970 [D78]

FIELDING-07
Short leg large



H750 [H30]
TH750 & 710 [TH30 & 28]
W2380 [W109] D2360 [D109]

FIELDING-08
Mid-off medium



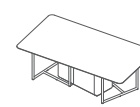
H750 [H30] TH750 [TH30]
W2400 [W93] D1280 [D50]

FIELDING-09
Mid-off large



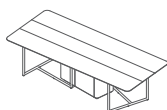
H750 [H30] TH750 [TH30]
W2770 [W109] D1280 [D50]

FIELDING-10
Cover medium



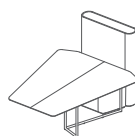
H750 [H30]
TH750 [TH30]
W2200 [W87] D1200 [D47]

FIELDING-11
Cover large



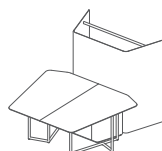
H750 [H30]
TH750 [TH30]
W2770 [W109] D1400 [D55]

FIELDING-12
Third man large



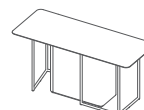
H1500 [H59]
TH750 [TH30]
W1800 [W71] D2260 [D89]

FIELDING-13
Third man small



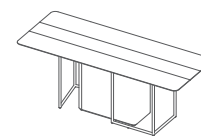
H1500 [H59]
TH750 [TH30]
W1800 [W71] D2225 [D87]

FIELDING-14
Deep square leg medium



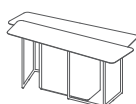
H1050 [H41]
TH1050 [TH41]
W2220 [W87] D900 [D35]

FIELDING-15
Deep square leg large



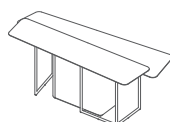
H1050 [H41]
TH1050 [TH41]
W2770 [W87] D1100 [D35]

FIELDING-16
Long leg medium



H1090 [H43]
TH1090 & 1050 [TH43 & 41]
W2450 [W96] D1200 [D47]

FIELDING-17
Long leg large



H1090 [H43]
TH1090 & 1050 [TH43 & 41]
W2760 [W109] D1295 [D1295]



Product Specification

Standard Product Description

Legs: Metal legs in Black, White, Gold, Taupe, Industrial Silver, Bronze or Copper.

Monitor: Universal monitor bracket to be supplied as standard. (12 & 13)

Runway Options: Laminate, Fenix Laminates or Younique® Laminates can be used individually or mixed. (11 & 15 only)

Table Top Finishes:

Laminate – White Fleetwood, Natural Davos, Grey Arizona, Tobacco Charleston or Grey Bardolino.

Laminate Fenix – 2630 Pimobo Doha, 0720 Negro Ingo, 0724 Grigio Bromo, 0718 Grigio Londra, 2638 Titanio Doha, 0725 Grigio Efeso, 0030 Bianco Alaska.

Laminate Younique® – Modernist, Modernist 2, Modernist 3, Floral, Floral 2, Fracture, Fracture 2, Leaf, Line, Animals, Animals 2, Houndstooth, Houndstooth 2, Houndstooth 3, Houndstooth 4, 50s, 50s 2, Triangle, Triangle 2, Jaquard 2 or Jaquard 3.

Optional Upcharges

Customised Finishes: Younique® by Formica Group is a High Pressure Laminate with a customised, printed image as its decorative face.

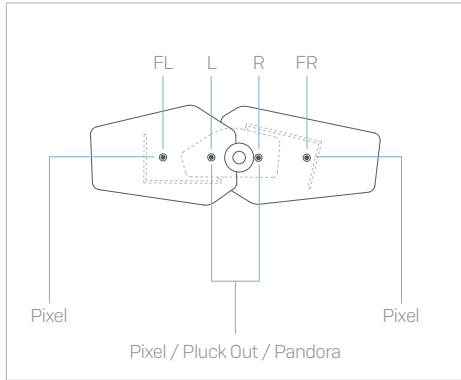
Power: Power options available. Round Pluckout Hatch available. Upcharges for Models with Power.

Top Power: Top Power options available.

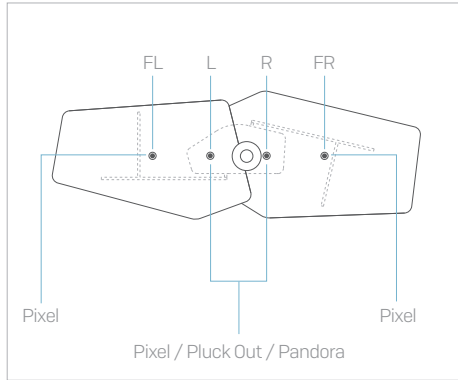
Lighting: Pablo Circa Lamp available as an upcharge.

Fenix Cleaning Kit: Available to order as an upcharge.

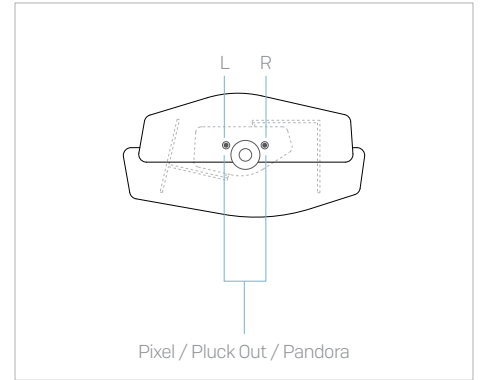
Power & Lighting Option Upcharges



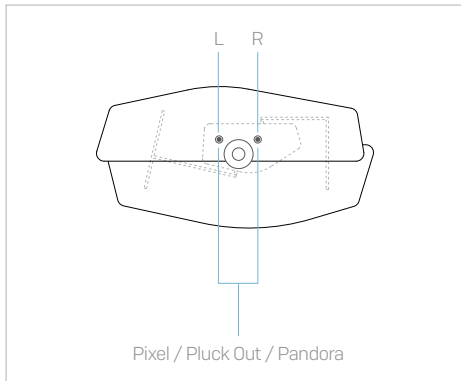
FIELDING-01



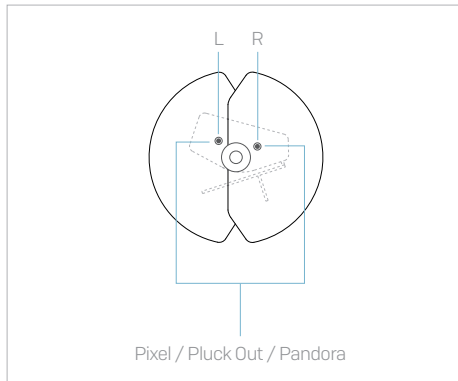
FIELDING-02



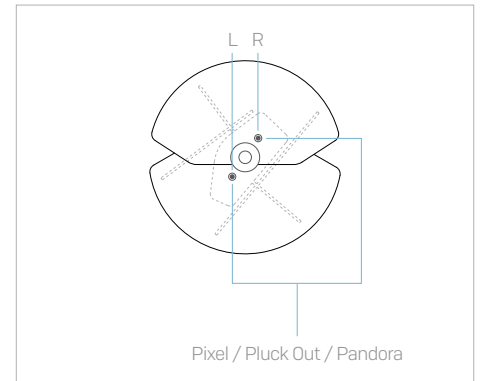
FIELDING-03



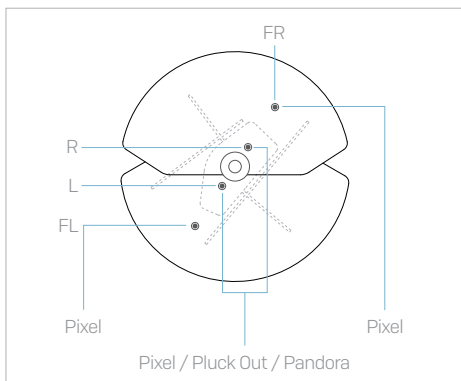
FIELDING-04



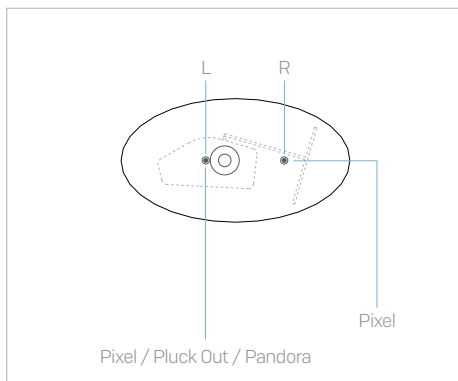
FIELDING-05



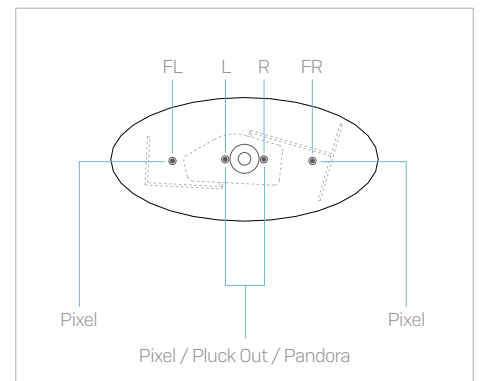
FIELDING-06



FIELDING-07



FIELDING-08



FIELDING-09

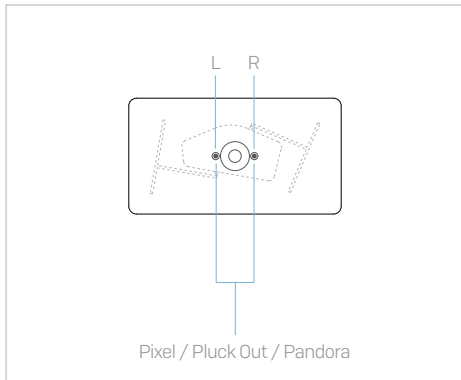
FL Far Left Power Unit
FR Far Right Power Unit

L Left Power Unit
R Right Power Unit

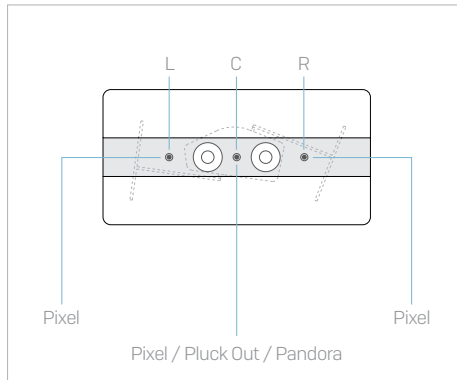
C Central Power Unit
● Power Unit Location

⊙ Pablo Lighting Location

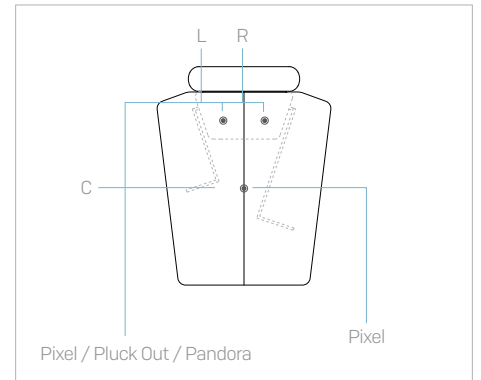
Power & Lighting Option Upcharges



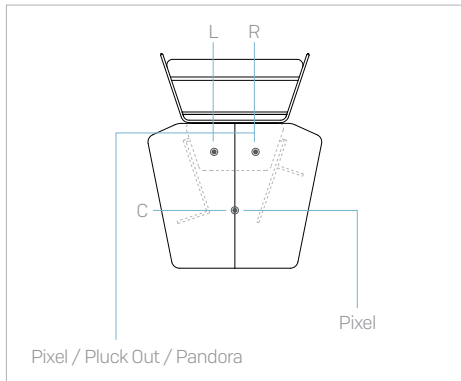
FIELDING-10



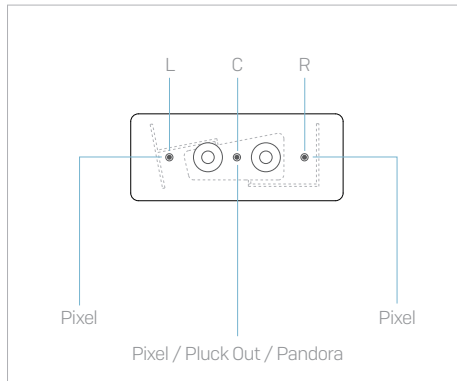
FIELDING-11



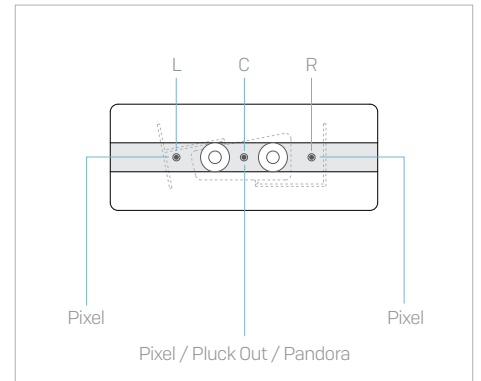
FIELDING-12



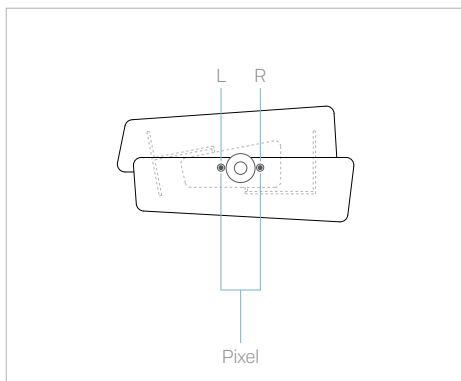
FIELDING-13



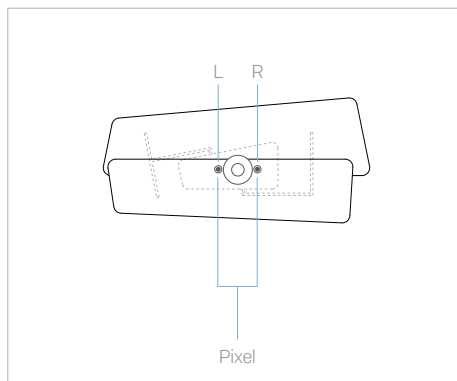
FIELDING-14



FIELDING-15



FIELDING-07



FIELDING-08

FL Far Left Power Unit
FR Far Right Power Unit

L Left Power Unit
R Right Power Unit

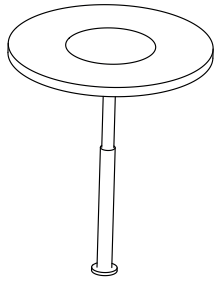
C Central Power Unit
● Power Unit Location

○ Pablo Lighting Location

Power Options



Pluck Out



Pablo Lighting



Pandora



Pixel

Product Finishes

Legs



Black



White



Gold



Taupe



Industrial Silver



Bronze



Copper

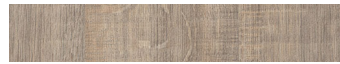
Table Tops — Laminate



White Fleetwood



Natural Davos



Grey Arizona



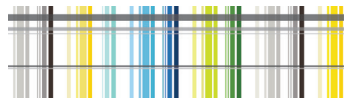
Tobacco Charleston



Grey Bardolino

Product Finishes

Laminate Younique® - Table Tops (Standard Leadtimes)



Line



Modernist 2



Floral 1



Houndstooth 1



Houndstooth 2



Houndstooth 3



Houndstooth 4

Laminate Younique® - Table Tops (Extended Leadtimes)



Floral 2



Leaf



Animals 1



Animals 2



Fracture 1



Fracture 2



50s 1



50s 2



Triangle 1



Triangle 2



Jaquard 1



Jaquard 2



Jaquard 3



Modernist 1



Modernist 3

All of the Fielding patterns have been designed by Gerard Taylor, the designer of the Fielding table, and are unique to Orangebox. They are printed by Formica as part of their Younique® HPL printed image programme, which allows designers to print any graphic pattern onto a single sheet of laminate.

For full details of the Fielding Graphic Patterns and Formica Younique® please visit orangebox.com services section.

Using or changing the Orangebox Fielding Patterns Younique® also offers the potential for designers to specify original artwork, photographs, collage, tile patterns or vector-based artwork for Fielding tabletops, subject to sample approval from Formica:

- Artwork is preferred from the Adobe Suite in .eps, .ai, .indd, .tiff, .psd formats
- All relevant links and fonts of original artwork files are required
- Raster (image) artwork is required in .tiff format
- Artwork should be submitted in CMYK: if not it will be converted automatically
- Scale of 10% or 100% is recommended. Resolution: minimum of 150 dpi full size (e.g. when working at 10%, files must be 1000 dpi).

Full details of the programme are available at younique@formica.com.