

SEELA

Antti Kotilainen | 2018



SEELA

Antti Kotilainen | 2018

SEELA is the ideal combination of wood, a material that is part of Lapalma's DNA, and polypropylene. Versatile and light, its distinctive feature is an insert that follows the sinuous shapes of the frame, perfectly integrating with it. It offers many opportunities to customise, starting with the insert, which comes in wood, fabric upholstery or moulded polypropylene, the ideal solution for outdoor environments.



SEELA

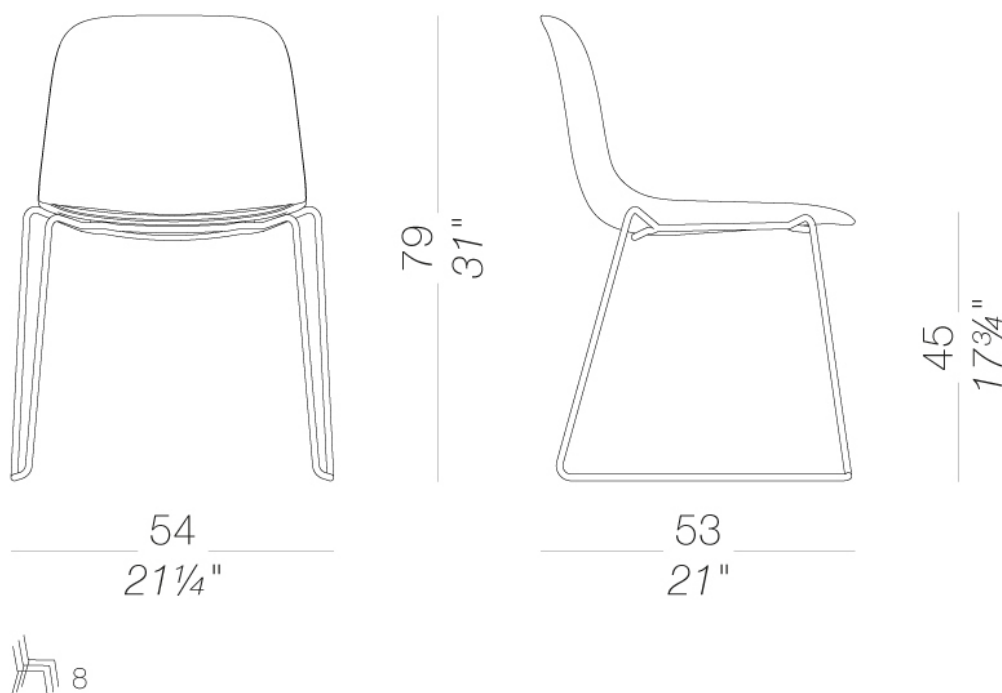
Antti Kotilainen | 2018



S310 Stackable with slide-frame base

SEELA | S310 S311 S312 S313 S314 S315 S316 S317

Family of chairs with shell in polypropylene or upholstered and integrated seamless seat-pad in polypropylene, wood or fabric, easily removable and replaceable. Metal 4-leg or sled base, mat chromed or powder coated, or with wooden legs. Also available with armrests or tablet, with linking system and stacking pad. This seating program includes a stackable stool with fixed height.



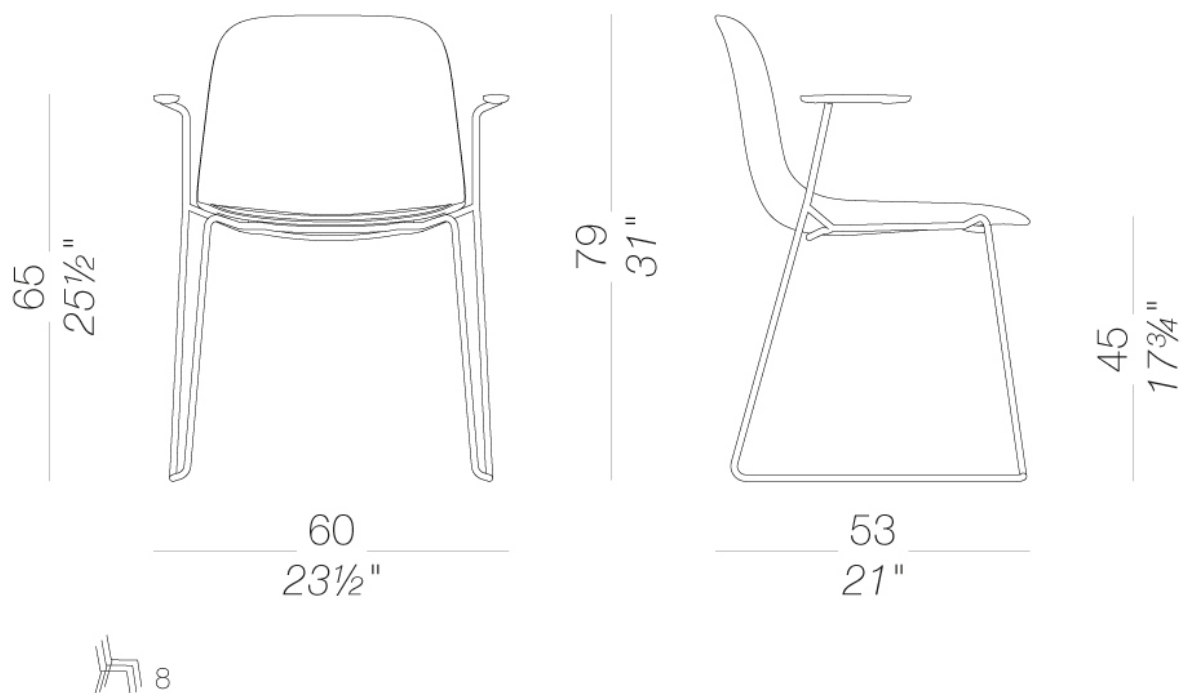
SEELA

Antti Kotilainen | 2018

S314 stackable with armrests

SEELA | S310 S311 S312 S313 S314 S315 S316 S317

Family of chairs with shell in polypropylene or upholstered and integrated seamless seat-pad in polypropylene, wood or fabric, easily removable and replaceable. Metal 4-leg or sled base, mat chromed or powder coated, or with wooden legs. Also available with armrests or tablet, with linking system and stacking pad. This seating program includes a stackable stool with fixed height.



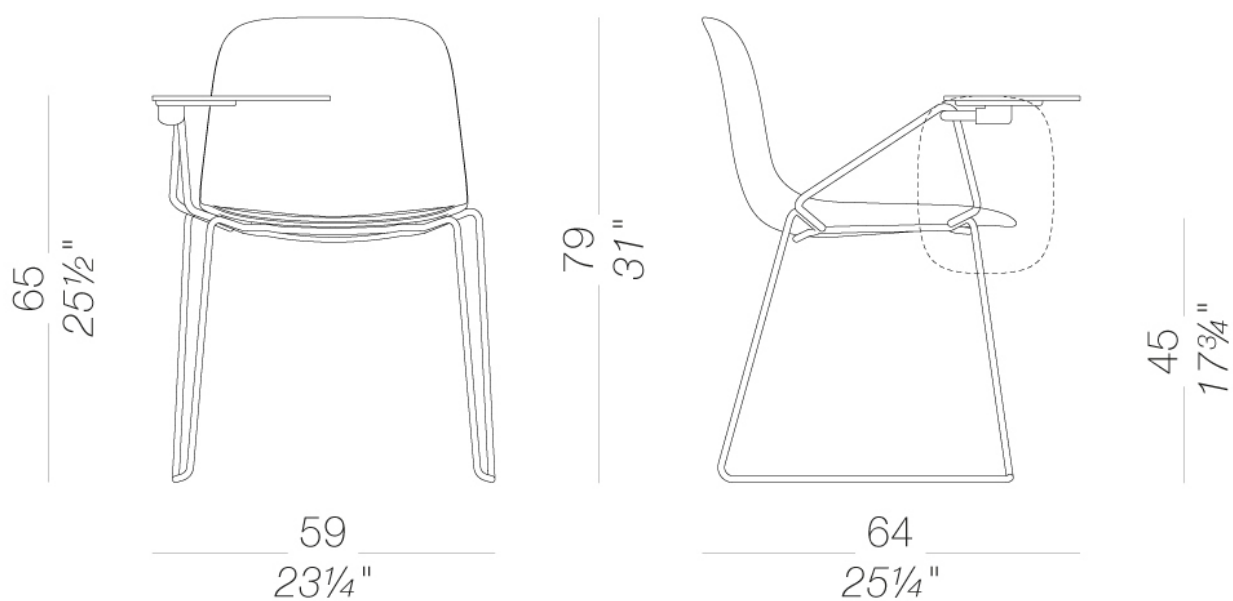
SEELA

Antti Kotilainen | 2018

S315 with writing arm

SEELA | S310 S311 S312 S313 S314 S315 S316 S317

Family of chairs with shell in polypropylene or upholstered and integrated seamless seat-pad in polypropylene, wood or fabric, easily removable and replaceable. Metal 4-leg or sled base, mat chromed or powder coated, or with wooden legs. Also available with armrests or tablet, with linking system and stacking pad. This seating program includes a stackable stool with fixed height.



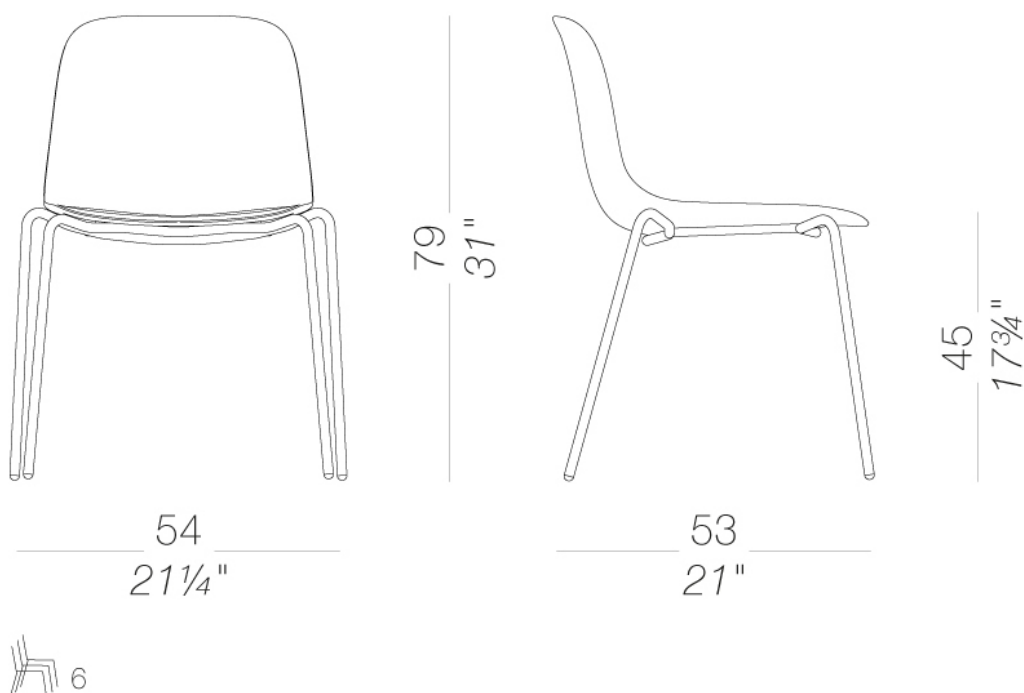
SEELA

Antti Kotilainen | 2018

S311 4-legged

SEELA | S310 S311 S312 S313 S314 S315 S316 S317

Family of chairs with shell in polypropylene or upholstered and integrated seamless seat-pad in polypropylene, wood or fabric, easily removable and replaceable. Metal 4-leg or sled base, mat chromed or powder coated, or with wooden legs. Also available with armrests or tablet, with linking system and stacking pad. This seating program includes a stackable stool with fixed height.



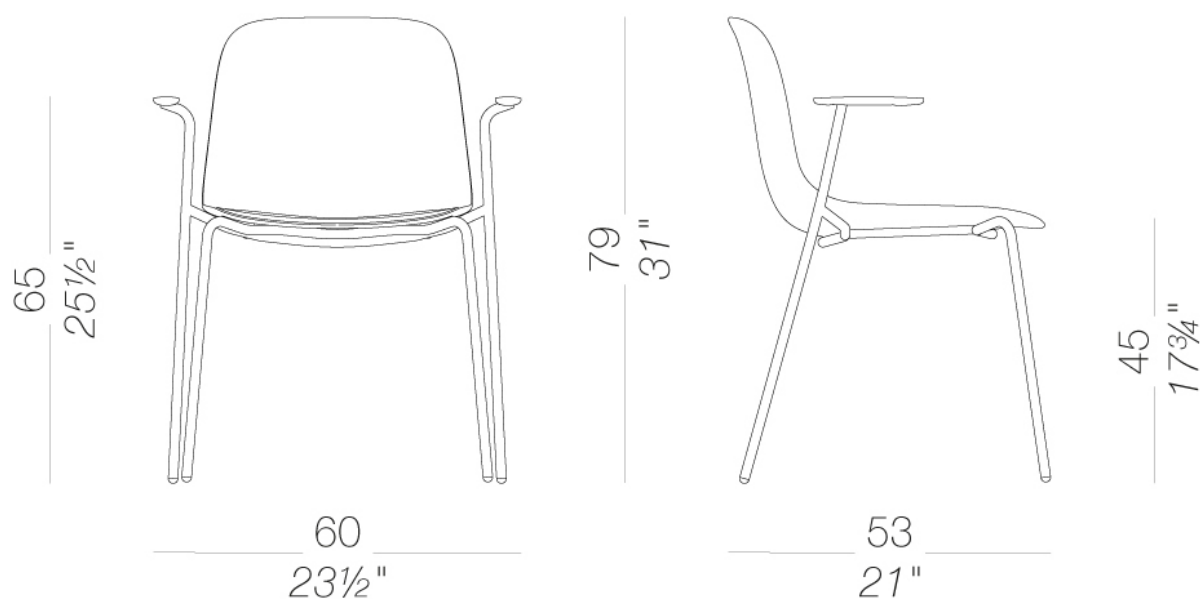
SEELA

Antti Kotilainen | 2018

S316 stackable with armrests

SEELA | S310 S311 S312 S313 S314 S315 S316 S317

Family of chairs with shell in polypropylene or upholstered and integrated seamless seat-pad in polypropylene, wood or fabric, easily removable and replaceable. Metal 4-leg or sled base, mat chromed or powder coated, or with wooden legs. Also available with armrests or tablet, with linking system and stacking pad. This seating program includes a stackable stool with fixed height.



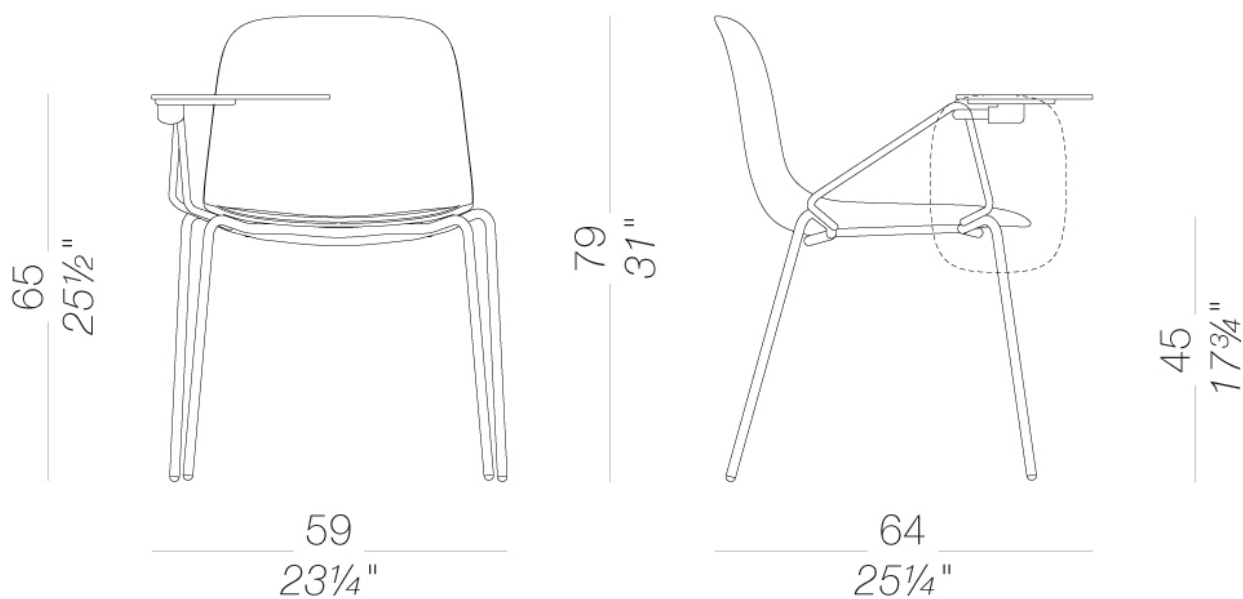
SEELA

Antti Kotilainen | 2018

S317 with writing arm

SEELA | S310 S311 S312 S313 S314 S315 S316 S317

Family of chairs with shell in polypropylene or upholstered and integrated seamless seat-pad in polypropylene, wood or fabric, easily removable and replaceable. Metal 4-leg or sled base, mat chromed or powder coated, or with wooden legs. Also available with armrests or tablet, with linking system and stacking pad. This seating program includes a stackable stool with fixed height.



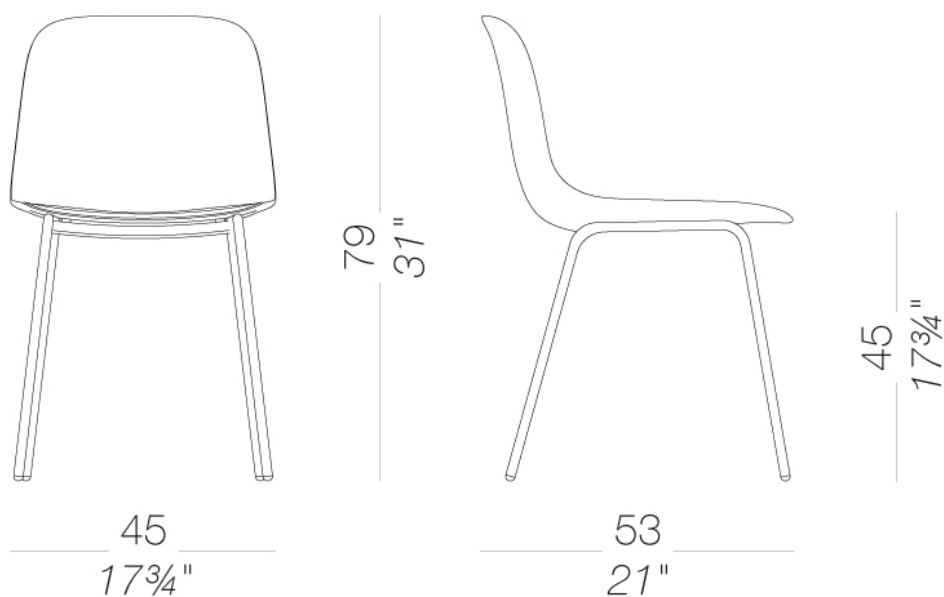
SEELA

Antti Kotilainen | 2018

S312 4-legged

SEELA | S310 S311 S312 S313 S314 S315 S316 S317

Family of chairs with shell in polypropylene or upholstered and integrated seamless seat-pad in polypropylene, wood or fabric, easily removable and replaceable. Metal 4-leg or sled base, mat chromed or powder coated, or with wooden legs. Also available with armrests or tablet, with linking system and stacking pad. This seating program includes a stackable stool with fixed height.



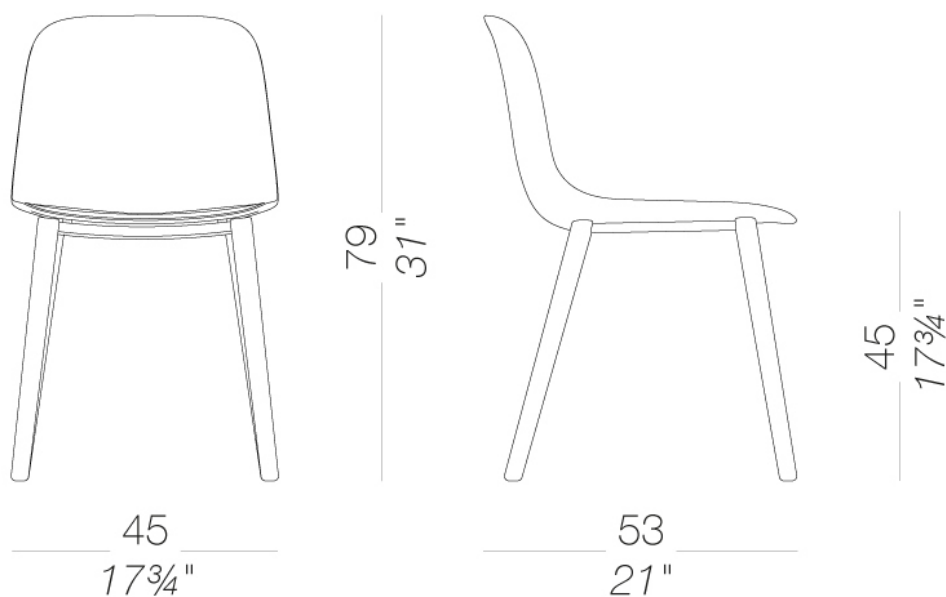
SEELA

Antti Kotilainen | 2018

S313 Chair with wood legs

SEELA | S310 S311 S312 S313 S314 S315 S316 S317

Family of chairs with shell in polypropylene or upholstered and integrated seamless seat-pad in polypropylene, wood or fabric, easily removable and replaceable. Metal 4-leg or sled base, mat chromed or powder coated, or with wooden legs. Also available with armrests or tablet, with linking system and stacking pad. This seating program includes a stackable stool with fixed height.



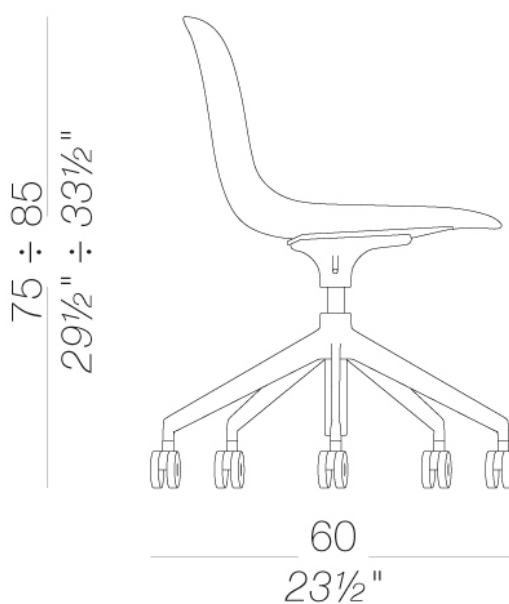
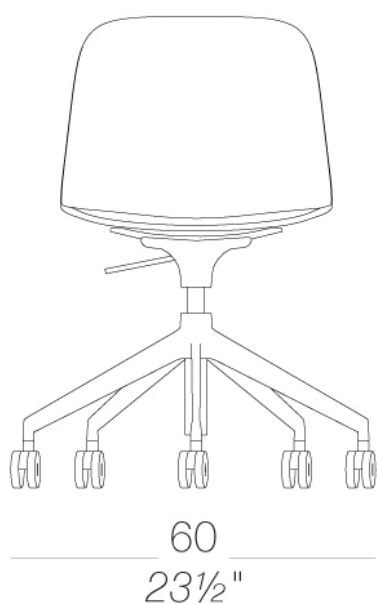
SEELA

Antti Kotilainen | 2018

S340 Height-adjustable with pyramidal base, on castors

SEELA | S340 S341 S342

Family of chairs with shell in polypropylene or upholstered and integrated seamless seatpad in polypropylene, wood or fabric, easily removable and replaceable. Bases can be height-adjustable or fixed, with castors, in powder coated or sandblasted die-cast aluminium. Also available with polypropylene armrests.



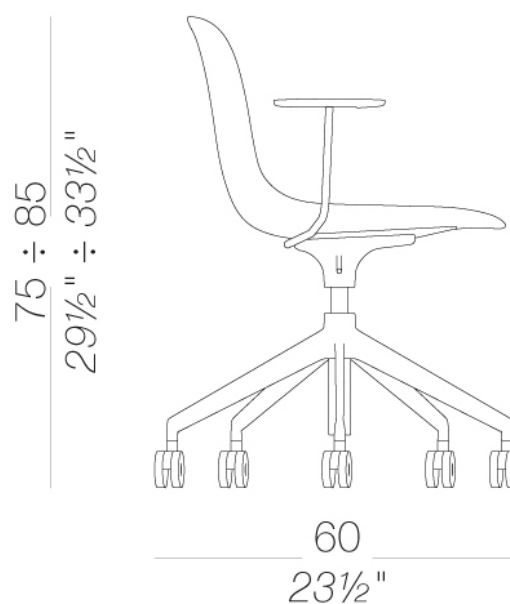
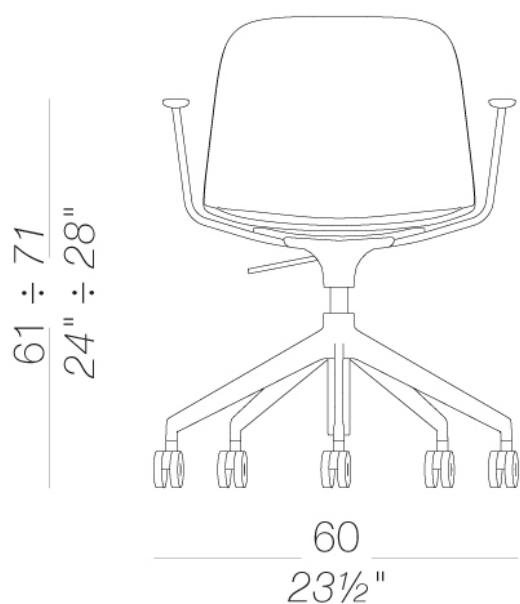
SEELA

Antti Kotilainen | 2018

S341 swivel with armrests

SEELA | S340 S341 S342

Family of chairs with shell in polypropylene or upholstered and integrated seamless seatpad in polypropylene, wood or fabric, easily removable and replaceable. Bases can be height-adjustable or fixed, with castors, in powder coated or sandblasted die-cast aluminium. Also available with polypropylene armrests.



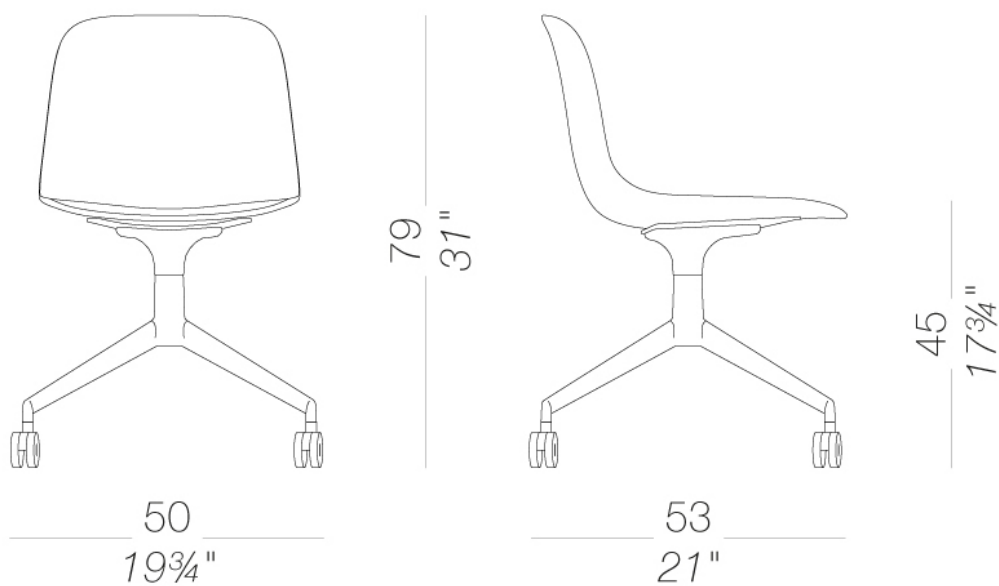
SEELA

Antti Kotilainen | 2018

S342 4-spoke base, on castors

SEELA | S340 S341 S342

Family of chairs with shell in polypropylene or upholstered and integrated seamless seatpad in polypropylene, wood or fabric, easily removable and replaceable. Bases can be height-adjustable or fixed, with castors, in powder coated or sandblasted die-cast aluminium. Also available with polypropylene armrests.



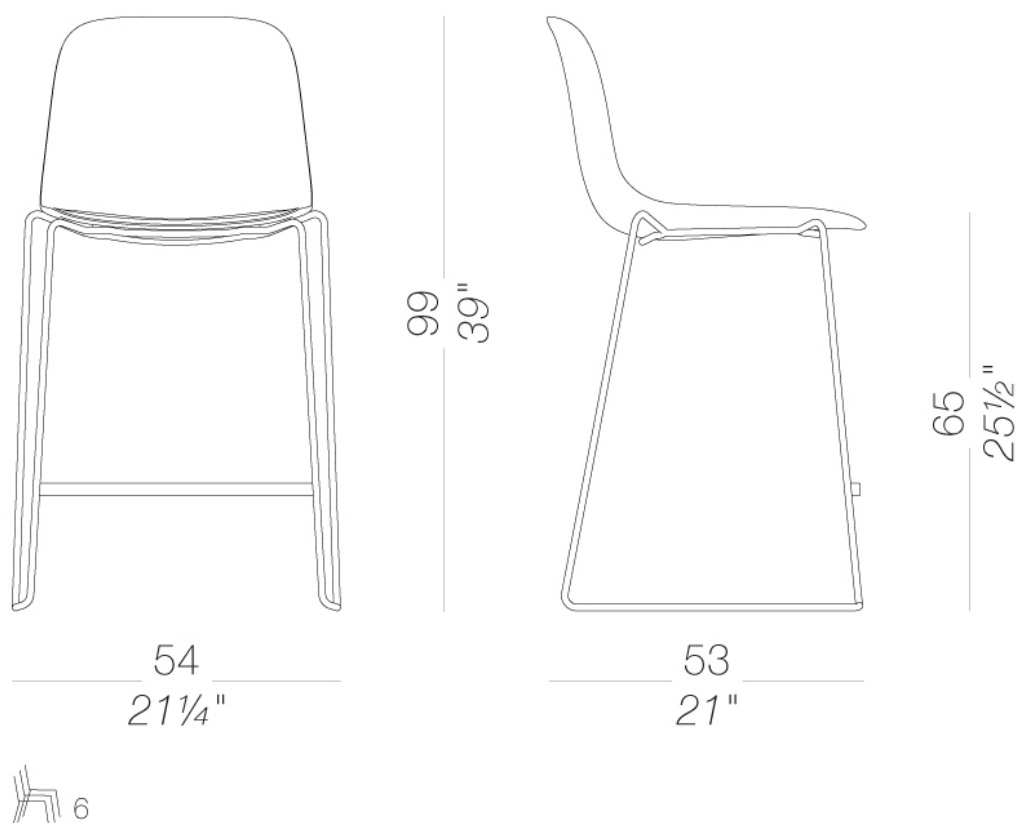
SEELA

Antti Kotilainen | 2018

S320 Stool with slide-frame base H65

SEELA | S320 S321

Stackable stool in two heights with shell in polypropylene and integrated seamless seat in polypropylene, wood or fabric, easily removable and replaceable. Metal sled base mat chromed or powder coated. A stacking pad under the seat is available for the stools in fabric.



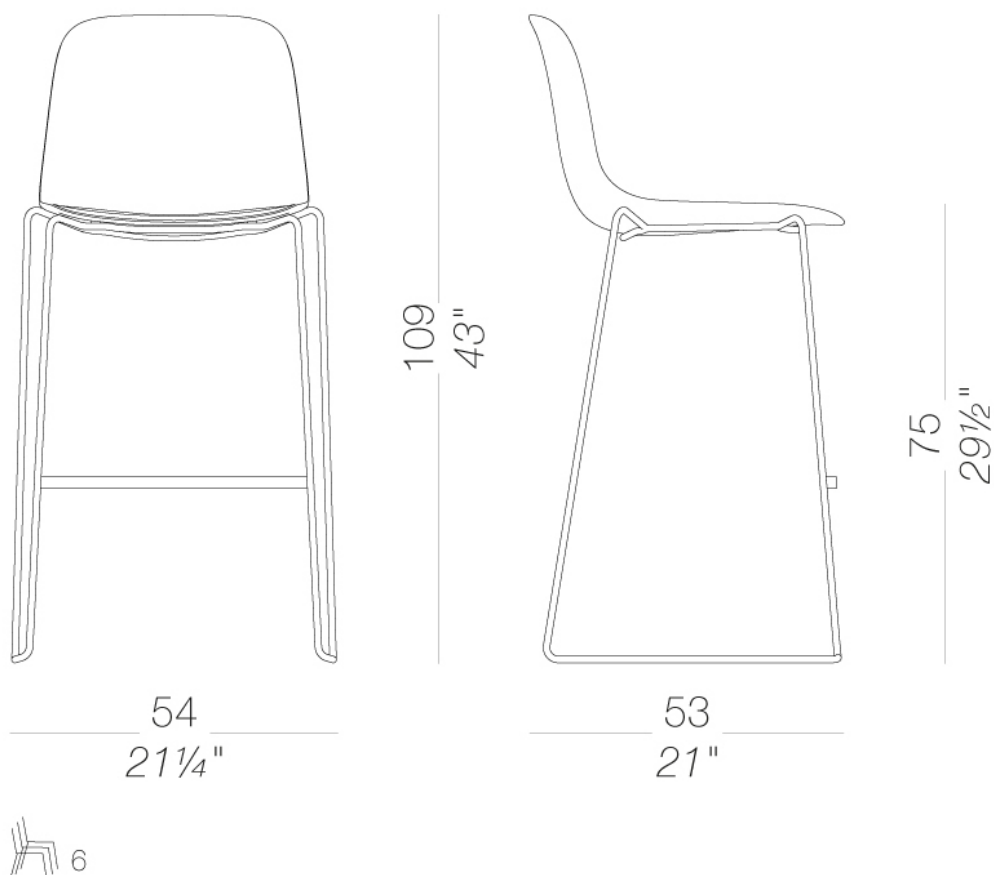
SEELA

Antti Kotilainen | 2018

S321 Stool with slide-frame base H75

SEELA | S320 S321

Stackable stool in two heights with shell in polypropylene and integrated seamless seat in polypropylene, wood or fabric, easily removable and replaceable. Metal sled base mat chromed or powder coated. A stacking pad under the seat is available for the stools in fabric.



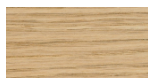
SEELA

Antti Kotilainen | 2018

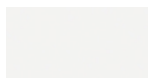
frame



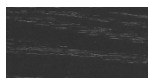
powder coating
black
1 Colors



wood
blanched oak
1 Colors



powder coating
white
1 Colors



wood
black open pore
1 Colors



metal
mat chromed
1 Colors



metal
aluminium
1 Colors

shell



plastics
polypropylene
3 Colors

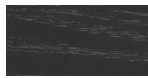
seat-pad



plastics
polypropylene
3 Colors



wood
blanched oak
1 Colors



wood
black open pore
1 Colors

upholstery



fabric
Tonica 2
39 Colors



fabric
Medley
37 Colors



fabric
Jet
44 Colors



ecoleather
GRIMM FR
24 Colors

tablet



HPL 10 mm
HPL fenix
2 Colors

armrests



plastics
polypropylene
3 Colors

consult the portfolio for the range of colors, fabrics, eco-leather, soft-leather.

use and maintenance instructions

Clean all parts in wood, leather, fabric and metal with a damp cloth or a diluted neutral cleaner. Do not use cleaners with alcohol, bleach, solvent or abrasive products. Any liquid spilled on the product must be wiped up immediately. When lifting or moving the product, hold it on the structure and not under the seat. The product should not be subjected to unbalanced weights, as it is designed for a proper rest on the foothold (on four legs or on the base). Our company relieves from any responsibility in case of damage caused to fragile floors. Avoid any improper use of the product: do not step on the product, on the footrest or on the armrests. Avoid any movements that could compromise the proper functionality of the product or the safety of the users. Wood and leather, being natural materials, could be easily damaged. Small impurities or imperfections are within quality standard range. Do not expose the product to weather conditions or atmospheric agents, nor to heat sources over 40°C. Also products for outdoor use could be afflicted by atmospheric agents. The product could undergo possible exterior changes due to particular exposure to heat, humidity and saltiness. An appropriate and frequent maintenance and cleaning of the product enhances its durability. The product could change colour and shade, if exposed to direct sunlight. Maintenance has to be carried out by experienced staff. Dispose of the package only after assembling the product, in order to avoid the loss of ironmongery and components. Once the product has been dismantled, the product itself or its components must be given to the public garbage disposal system, according to the legislation in force.