

Captain's chairs

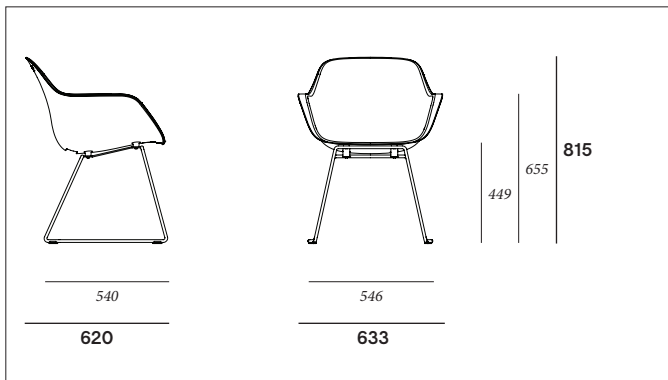
© design by Metrica

Sliding
High sliding
Woody's
High woody's
Rolling

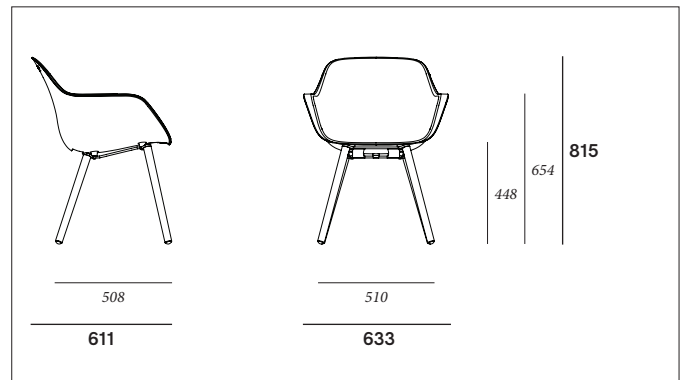
Paw
Swivel
Storage net
Cushion
Upholstery



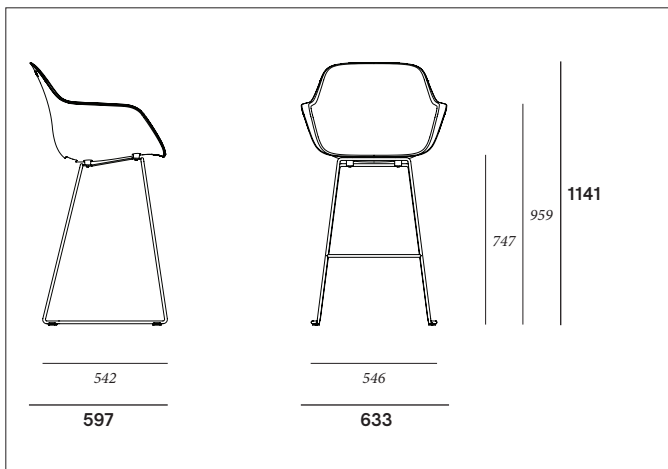
Sliding chair



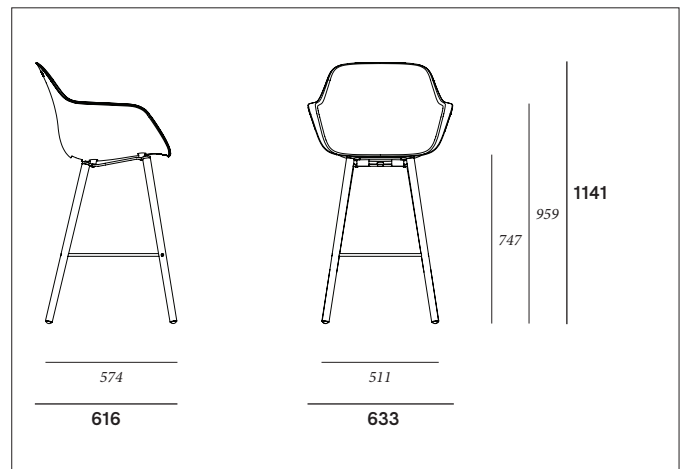
Woody's chair



High sliding chair



High woody's chair



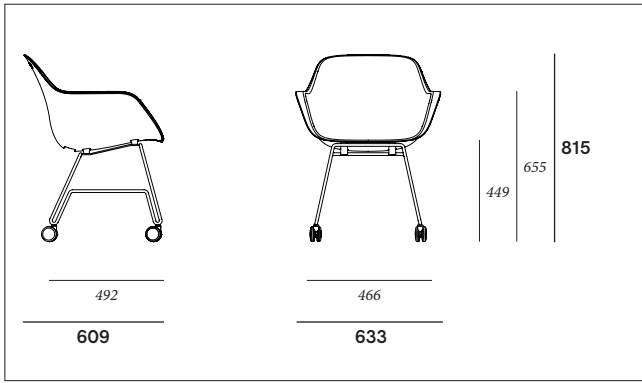
extremis®

The content of this document, in particular the mentioned models, is protected by copyrights and/or design rights. The present document and its content is communicated to you for information purposes only. Any partial or total reproduction or any other use without our prior written permission is strictly prohibited. This technical sheet remains subject to possible changes. **All dimensions are in mm**, unless mentioned otherwise. Extremis is not responsible for the errors in the documentation of products. All measurements are approximate and are provided for informational purposes only.

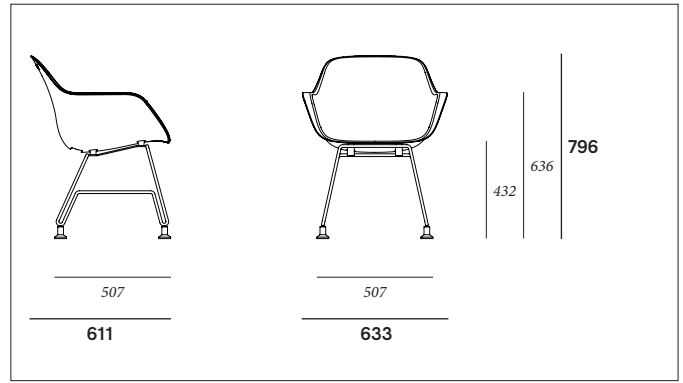
Tech sheet
20190208



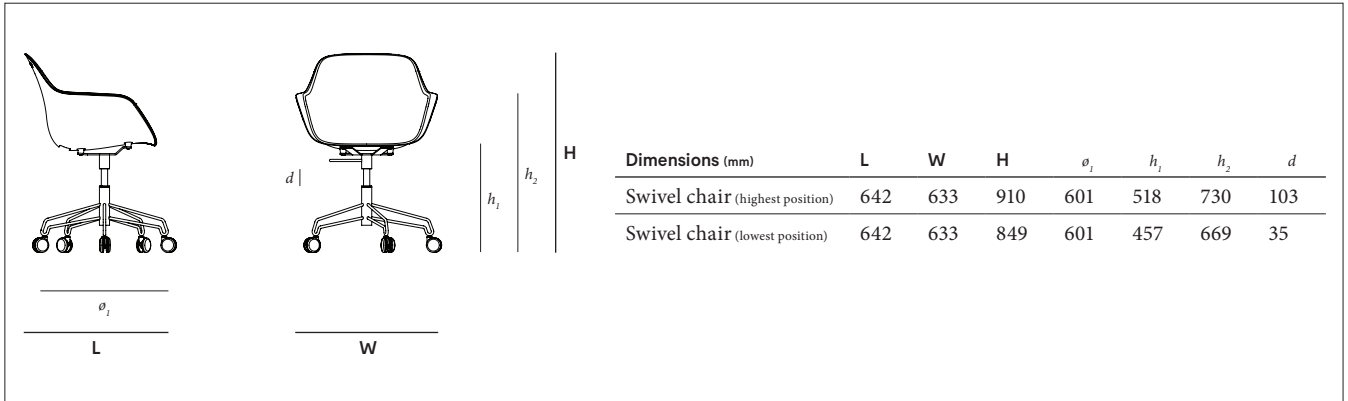
Rolling chair



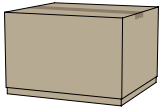
Paw chair



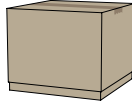
Swivel chair



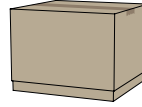
BOX 1: SHELL



BOX 2: FRAME + MOUNTING KIT



BOX 3: SHELL + FRAME + MOUNTING KIT



BOX 4: FRAME + MOUNTING KIT



BOX 5: LEGS



Box dimensions (mm)		L	W	H	Qty (#)	Volume (m ³)	Gross weight (kg)	Net weight (kg)	Packaging weight (kg)
Sliding chair	Box 1	735	665	490	1	0,24	7,20	4,00	3,20
	Box 2	590	590	470	1	0,16	6,90	3,50	3,40
	total:				0,40		14,10	7,50	6,60
High Sliding chair	Box 1	735	665	490	1	0,24	7,20	4,00	3,20
	Box 2	590	590	750	1	0,26	8,60	5,20	3,40
	total:				0,50		15,80	9,20	6,60
Woody's chair	Box 1	735	665	490	1	0,24	7,20	4,00	3,20
	Box 4	430	390	70	1	0,01	3,06	2,66	0,40
	Box 5	870	155	80	1	0,01	3,03	2,69	0,34
total:				0,26		13,29	9,35	3,94	
High Woody's chair	Box 1	735	665	490	1	0,24	7,20	4,00	3,20
	Box 4	430	390	70	1	0,01	4,20	3,80	0,40
	Box 5	870	155	80	1	0,01	4,41	4,07	0,34
total:				0,26		15,81	11,87	3,94	
Rolling chair	Box 1	735	665	490	1	0,24	7,20	4,00	3,20
	Box 2	590	590	470	1	0,16	7,46	4,06	3,40
	total:				0,40		14,66	8,06	6,60
Paw chair	Box 1	735	665	490	1	0,24	7,20	4,00	3,20
	Box 2	590	590	470	1	0,16	7,10	3,70	3,40
	total:				0,40		14,30	7,70	6,60
Swivel chair	Box 3	650	610	470	1	0,19	12,55	9,55	3,00

There are **maximum 6 shells per box**: 0,29 m³ | Gross weight (kg): 24,00 | Net weight (kg): 27,20

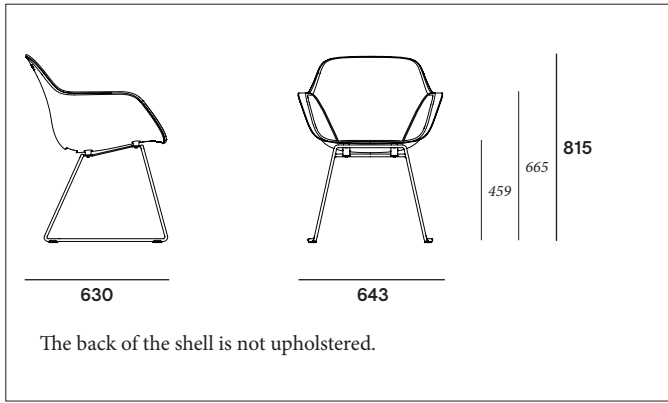
There are **maximum 6 sliding frames per box**: 0,18 m³ | Gross weight (kg): 21,00 | Net weight (kg): 24,40

There are **maximum 2 high sliding frames per box**: 0,27 m³ | Gross weight (kg): 10,40 | Net weight (kg): 13,80

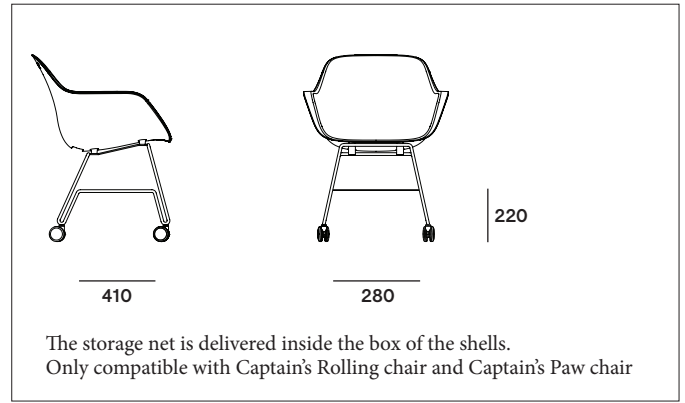
There are **maximum 6 rolling frames per box**: 0,18 m³ | Gross weight (kg): 24,36 | Net weight (kg): 27,76

There are **maximum 6 paw frames per box**: 0,18 m³ | Gross weight (kg): 22,20 | Net weight (kg): 25,60

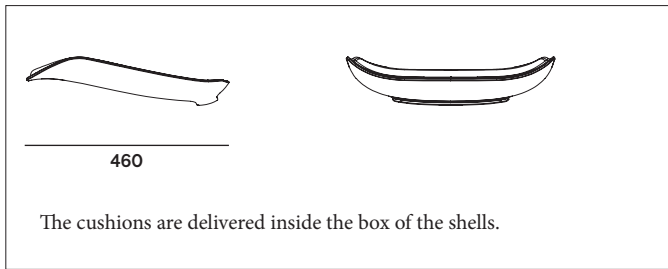
Upholstery









Storage net




Cushion



Materials & colours

	Shell	
		Polypropylene*
	Frames	
		Galvanised steel Structured powder-coating*
		
		Stainless steel Jatoba*
	Cushion & upholstery	
		Felt*

*Subject to change, check price list or www.extremis.com

Materials	Key facts	Thickness mm	Layer thickness micron	Density	In/outdoor	Water	UV colour fastness	Flame retarding
Polypropylene shell	<ul style="list-style-type: none"> Reinforced polypropylene (17% fibre glass) 	5 - 8	n.a.	0,90 10 ³ kg/m ³	Outdoor & indoor	n.a.	Very good UV-resistance	/
Structured powder-coated steel legs (sliding, high sliding chair & swivel chair)	<ul style="list-style-type: none"> Easy to clean Cold galvanised, then powder-coated 	12	100	7,50 10 ³ kg/m ³	Outdoor & indoor	n.a.	Very good: colour can fade to some extent when exposed to UV	NEN-EN13501-1 A1 *
Hot dip galvanised steel (sliding & high sliding chair)	<ul style="list-style-type: none"> Most durable method for protecting metal from rusting Protective layer Very long life span 100% recyclable Cradle to Cradle Certified™ 	2 - 10	50 - 100	7,50 10 ³ kg/m ³	Outdoor & indoor	n.a.	Very good, galvanisation will however become less shiny when used outdoors	NEN-EN13501-1 A1 *
Stainless steel legs (Rolling & paw chair)	<ul style="list-style-type: none"> High rust resistance Periodical maintenance required 	12	n.a.	8,00 10 ³ kg/m ³	Outdoor & indoor	n.a.	No effect	NEN-EN13501-1 A1 *
Jatoba legs (Woody & High woody's chair)	<ul style="list-style-type: none"> Exceptional quality Characteristics: durability & stability Bleeds when wood is exposed to rain for the first few times The dye is water-soluble 	35	n.a.	780 kg/m ³	Outdoor & indoor	n.a.	Untreated wood turns grey after a while	/
 100% Wood from well-managed forests FSC® C008551								
Felt cushion & upholstery	<ul style="list-style-type: none"> 100% virgin wool felt Polyester fibre spring filling 50,000 Martindale Pilling = 4 (scale 1 - 5) Rapidly renewable resource 	20	n.a.	460 g/m ²	Store indoors	n.a.	(ISO 105-B02: 2014)	/
PVC coated polyester mesh storage net	<ul style="list-style-type: none"> Extremely strong Exceptional tear strength Excellent UV resistance Robust 100% recyclable 	0,7	n.a.	590 g/m ²	Outdoor & indoor	n.a.	≥ 7 (QUVTEST T30-036 lamp UVA 340)	DIN 4102-B2/M2 **

* NEN-EN13501-1 A1

Class A1 products will not contribute to fire in any stage, including fully developed fire. For this reason, they are assumed to be capable of satisfying all requirements of all lower classes as well.

** DIN 4102 - B2/M2:

Kleinbrenner: Class B2: All materials used in buildings in Germany need to meet the B2 requirement which is determined using a small flame test.

Warnings

General

- Do not use any sharp tools to open the packaging.
- We strongly advise against using power tools.
- Tripping hazard, mind your step.
- Do not put out cigarettes on the chair.
- Not graffiti proof.
- Do not leave children unattended whilst playing on the chair.
- To avoid danger of suffocation, keep plastic bags away from babies and children.
- Colours can differ over years and from batch to batch.

Product

- Stains should be removed immediately with a clean, soft cloth, particularly in case of dark-coloured liquids such as wine, ink, coffee, coke, oil or bird droppings. If left to dry, these liquids may cause permanent damage.
- The chairs are weatherproof, except for the versions with wheels and upholstery.
- Do not stand on the chairs.
- Max. 120 kg per chair
- Do not lean backwards, always stay on 4 feet.
- Store the cushions indoors when not used.
- Risk of suffocation in plastic bags.

Polypropylene

- Avoid using aggressive & abrasive products.
- Very good UV-resistance.

Powder-coating

- White powder-coating requires more maintenance.
- Do not use abrasive scouring powders or scourers as they will scratch the surface.

- Colour can fade to some extent when exposed to UV.
- Flame retarding - NEN-EN13501-1 A2-sl - Satisfying the same criteria as Class B for the SBI-test according to EN13823. In addition, under conditions of a fully developed fire these products will not significantly contribute to the fire load and fire growth.
- Dark colors can get very hot in sunny weather.

Galvanised steel

- Galvanisation will become less shiny when used outdoors.
- Flame retarding - NEN-EN13501-1 A1 - Class A1 products will not contribute to fire in any stage, including fully developed fire. For this reason, they are assumed to be capable of satisfying all requirements of all lower classes as well.
- Possible impurities in the immersion tank can cause black marks during galvanization, which are intrinsic to this industrial finishing technique.
- White marks on this zinc layer are also intrinsic to this procedure and will disappear when the furniture is put outdoors.
- This industrial finishing technique may result in a rougher surface. This is intrinsic to the process.

Stainless steel

- Very good UV colour fastness.
- Flame retarding: NEN-EN13501-1 A1 - Class A1 products will not contribute to fire in any stage, including fully developed fire. For this reason, they are assumed to be capable of satisfying all requirements of all lower classes as well.
- Watch out, stainless steel isn't entirely rustproof! Be sure

to avoid contact with iron objects. If it does show signs of rust, clean with rust remover as quickly as possible.

Wood

- When delivered, the wood is untreated.
- The wood can bleed when it's exposed to rain for the first few times.
- Wood is a natural material and its look is different for every slat, plank and tree.
- Wood will gradually become rougher and start to turn grey as a consequence of exposure to the sun and rain. We recommend oiling the wood once or twice a year. 1x before the Summer and 1x after the Summer as protection for the Winter.
- Cleaning regularly with mild detergent. Never use a high pressure cleaner as this will roughen the wood's smooth surface and irreparably damage the wood's fibres.
- Thorough cleaning with Extremis Wood Cleaner.
- We strongly recommend that you treat your wood with wood oil to protect it from stains - Small cracks and crevices can also appear as part of this process. We strongly advise everyone to treat the furniture with our Wood Protector. It is best to repeat this treatment each year.

Felt

- Stains should be removed immediately with a clean, soft cloth, particularly in case of dark-coloured liquids such as wine, ink, coffee, coke, oil and bird droppings. If left to dry, these liquids may cause permanent damage!
- Do not bleach to clean.

Applications

Residential: on terraces, patios, at a dining table, at a desk, shared gardens. Indoor as well as outdoor.

Project: hotels and catering industries, company terraces, public spaces, squares, event venues, schools, offices, meeting rooms, bars, ...

Captain's chair combines perfectly with Marina, Hopper combo, Hopper table & Pontsün.



F.a.q.

Q: Is the chair weatherproof?

A: Yes, except for the versions with wheels and upholstery. The shell and frame of the Captain's chair are made of durable, UV- & water proof materials. The shape of the shell makes sure water can evacuate easily.

Website

www.extremis.com/captainschair

Good to know

- Because the shells and frames are separately stackable, they do not take up a lot of transport volume.

There are maximum 6 shells per box: 0,27 m³
There are maximum 6 frames per box: 0,21 m³

- We do not recommend the use of the Rolling & Swivel chair outside, the chairs can be blown away because of its wheels.
- The upholstered shell is made for indoor use only.
- No need for extra straps to fix the cushions.
- There is a water drain and ventilation hole in the shell.

Maintenance

Find maintenance instructions at the downloads section of extremis.com for:

SHELL

- Use common kitchen cleaning products. Avoid using aggressive products. These surfaces are best cleaned with a neutral cleaning product diluted in water.
- In case of stubborn stains, we recommend using a magic sponge.

POWDER-COATED PARTS

- White powder-coating obviously requires more maintenance.
- Clean stains with a magic eraser.

GALVANISED PARTS

- How to repair a damaged zinc layer?

WOOD

- Clean regularly with mild detergent.
- Thorough cleaning with Extremis Wood Cleaner.
- Oil the wood with Extremis Wood Protector. We recommend oiling the wood at regular intervals depending from location and general weather conditions.
- In order to smoothen the surface again after a thorough cleaning, lightly sand your wood with 80 grit sanding paper or a sanding pad.

STAINLESS STEEL

- Clean regularly with with a dry cloth and some stainless steel cleaner.