

TalkTime Quick conference connection



# Steelcase

Visit [steelcase.com](http://steelcase.com)

**Europe** Espace Européen de l'Entreprise 1, allée d'Oslo BP 40033 Schiltigheim 67012 Strasbourg Cedex France  
tel: +33 3 88 13 30 30 fax: +33 3 88 28 31 78

**North America** 901, 44th Street Grand Rapids MI 49508 USA  
tel: +1 616 247 27 10 fax: +1 616 246 40 40

**Asia Pacific & India** 4th floor, N32 Kowa Bldg 5-2-32 Minami-Azabu Minato-Ku Tokyo 106-0047 Japan  
tel: +81 3 3448 9611 fax: +81 3 3448 9617

**Latin America** 901, 44th Street Grand Rapids MI 49508 USA  
tel: +1 616 247 27 10 fax: +1 616 246 40 40

**Middle East & Africa** Design House unit A2 PO Box 502596 Dubai Media City Dubai UAE  
tel: +971 4 369 7838 fax: +971 4 369 7837

**Concept and Design** Steelcase **Product design Eastside** Steelcase Design  
**Product design TalkTime, Mobile Elements, H. System** Stefan Brodbeck – [www.brodbeckdesign.de](http://www.brodbeckdesign.de)

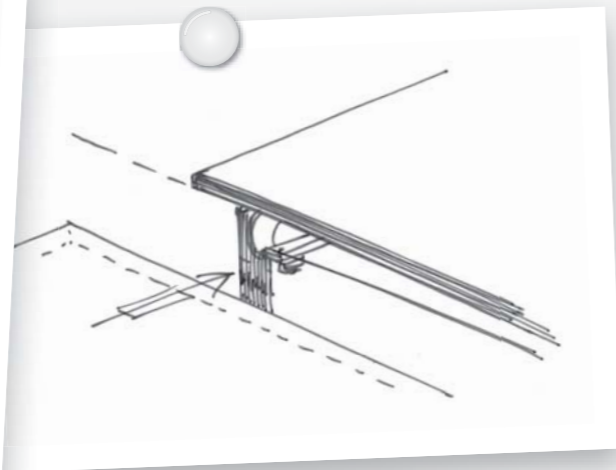
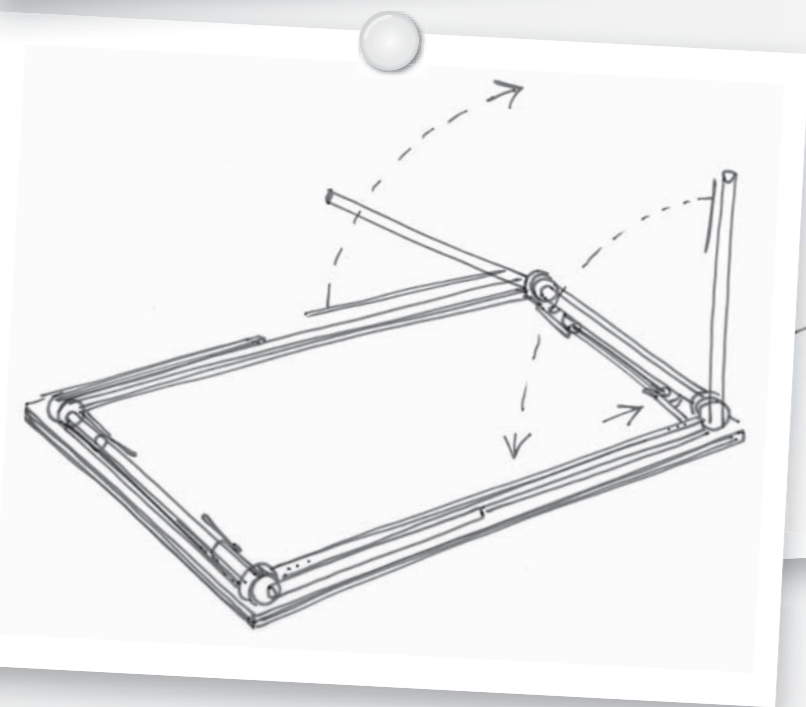
**DC149EN** 11/09 © 2009 **Steelcase** All rights reserved. All specifications subject to change without notice.  
Printed on at least 60% recycled paper. Cert no. BV-COC-858659. Printed in France by OTT Imprimeurs – Wasselonne



# Steelcase

## Observations & Insights

- 1 - Most conferencing tables are not intuitive to set up and use.
- 2 - Frequently changing layouts and installations require a high level of durability.



## TalkTime Quick conference connection

Setting up a large conference space can rapidly become a nightmare without the right furniture. Schedules change at the last minute and there is rarely enough time to prepare.

That's why Steelcase concentrates on creating products that make life easy. With simple-handling, efficient storing and a high level of durability and stability, **our new folding table helps cut out the difficulties associated with arranging large meetings and can speed up room use and improve productivity.**

Add an attractive design and comfortable chairs and everyone is happy.

## Why TalkTime ?

- 1 - Quick and easy installation
- 2 - High stability and durability
- 3 - Space efficient storing



CR552

## How it works



**High stability and durability**  
 A crucial feature of any conferencing table is structural robustness. TalkTime employs horizontal bars for high level quality and reduced surface-top material. It also comes with a safety mechanism to avoid unintentional folding of the legs. Select from different work-top thicknesses: 25mm, 19mm, 14mm.



**Space efficient storing**  
 No tools or technical knowledge needed. TalkTime's legs can flip up quickly, easy and safely for space efficient storage.



## Quick and easy installation

Integrated connections allow users to create different installations by sharing legs and using junction tables.

Ideal for any conferencing set-up. Configurations of 2,3,4,5 or more tables can be created at no extra cost.



Push connector



Hook 2nd table



Connect table



## System overview

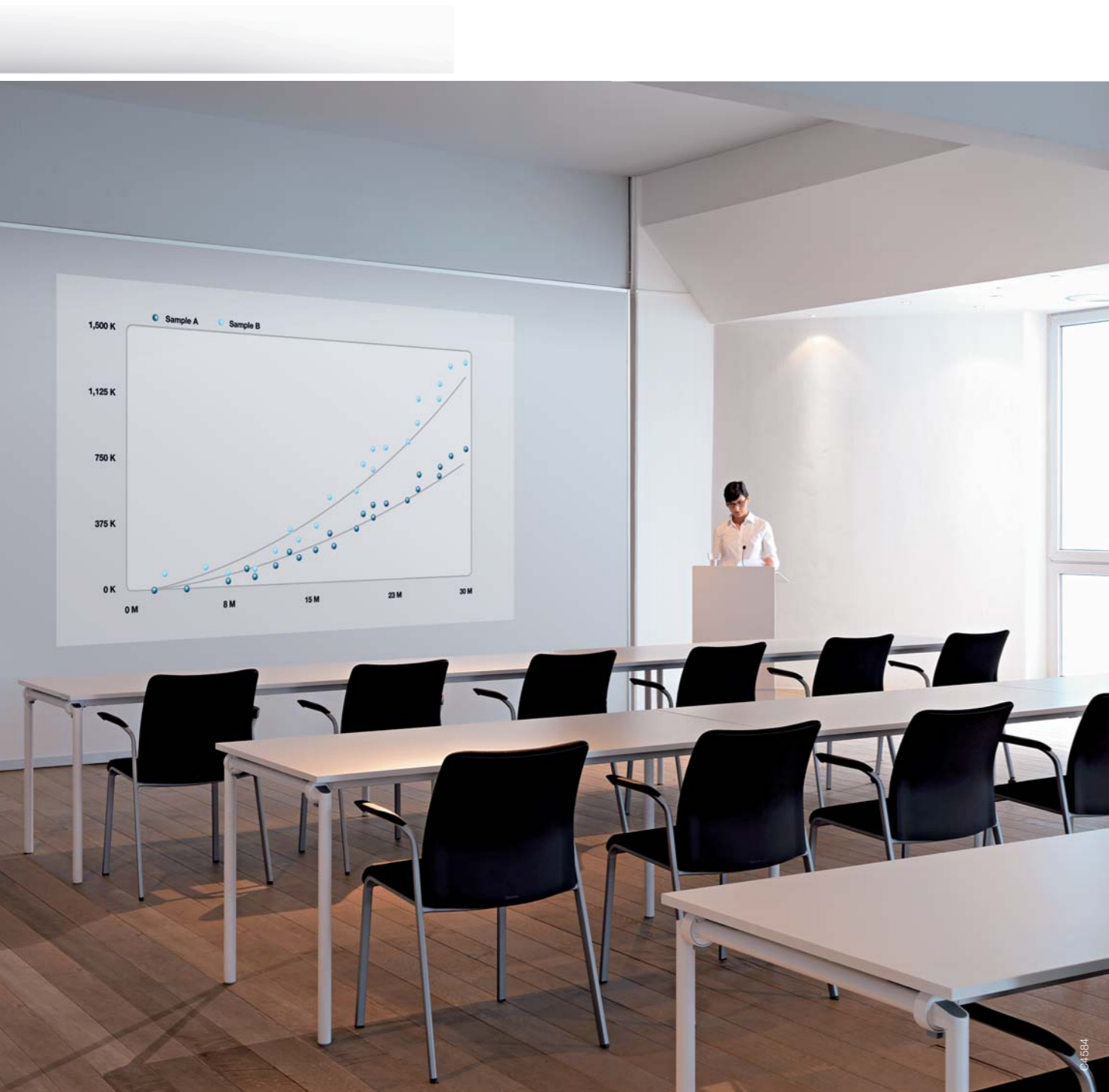
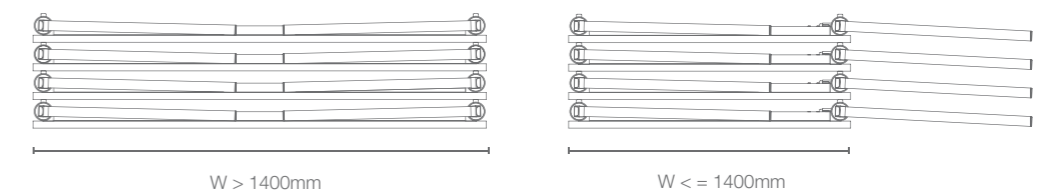


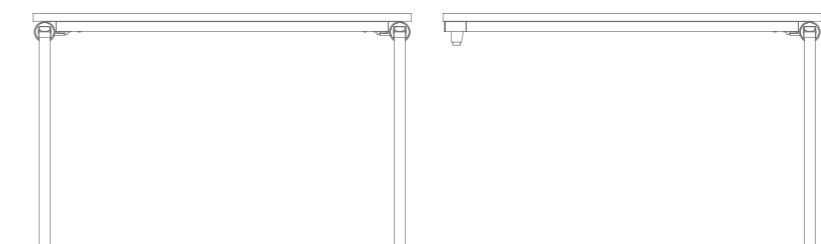
Table top shapes	Dimensions in mm	Corner Radius 3mm
	W 1200 D 600   700   800   900	x
	W 1400 D 600   700   800   900	x
	W 1600 D 600   700   800   900	x
	W 1800 D 600   700   800   900	x
	W 800 D 800	x
	W 900 D 900	x
	W 1000 D 1000	x
	ø 1400	x
	ø 1600	x
	ø 1800	x
	ø 900	x
	ø 1000	x
	ø 1200	x
	W 600 D 600	x
	W 700 D 700	x
	W 800 D 800	x
	W 900 D 900	x

Material thickness	Melamine	Veneer	TechTop	Height	Possibility to connect
14mm	-	-	x	729mm	-
19mm	x	x	-	734mm	x
25mm	x	x	-	740mm	x

### Dimensions

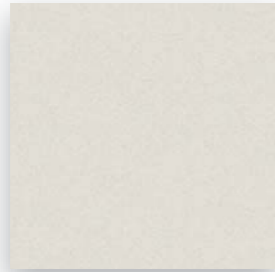


### Connection



## Selection of Finishes

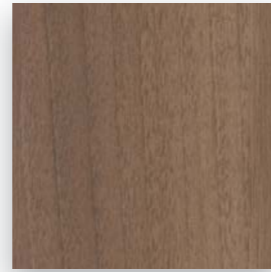
### Melamine



WY Snow



AT Acacia



W5 Walnut

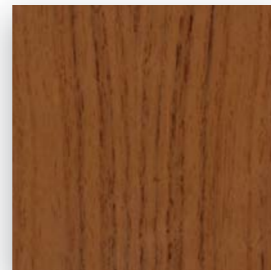
### Veneer



ER Canadian Maple

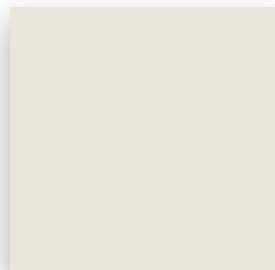


WE Wenge Style

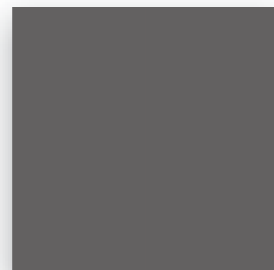


NU American Walnut

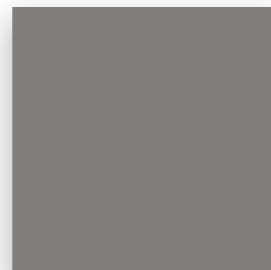
### Paint



ZW Pearl Snow



ZX Pearl Grey



SL Silver

## TalkTime environmental performance

You need clear evidence to support your environmental credentials. We can provide it.

### End of life

Up to **99%** recyclable by weight.

**100%** recyclable LPDE film for packaging. **40%** of the EPP corners used for packaging are reused.

Plastics parts clearly labelled for easy sorting and effective recycling.

### Material

**23%** recycled content by weight.

PVC free.

**30%** recycled LDPE film (Low Density Polyethylene) in packaging.

### Use

Designed for a long product life.

Replaceable parts.

Maintenance information available on [Steelcase.com](http://Steelcase.com).

### Transport

Manufactured close to customers, in Europe.

Minimised packaging weight and volume to improve filling rates and save energy for shipping.



### Production

ISO 14001 and EMAS certification of the Rosenheim site (Germany).

Water-based glue for edge banding.

Powder coat painting: VOC-free and free of heavy metals.

You require official certifications. We can deliver them.



**Product Environmental Profile (PEP)**. Based on ISO 14021, its purpose is to communicate precise and verifiable information on environmental aspects of the product during its life cycle.



**Blauer Engel**. This German environmental certification is awarded to products with a low environmental impact.



**PEFC**. The wooden components are PEFC certified (Programme for the Endorsement of Forest Certification), ensuring that wood originates from sustainably managed forests.



**E1**. The particle boards comply with the "E1 standard" guaranteeing a low level of formaldehyde emissions.

You care about the end of use of your furniture.

We offer options - be it refurbishing, take-back, charitable donation or recycling.

Visit [Steelcase.com](http://Steelcase.com) to discover more about Steelcase's unique ecodesign strategy.