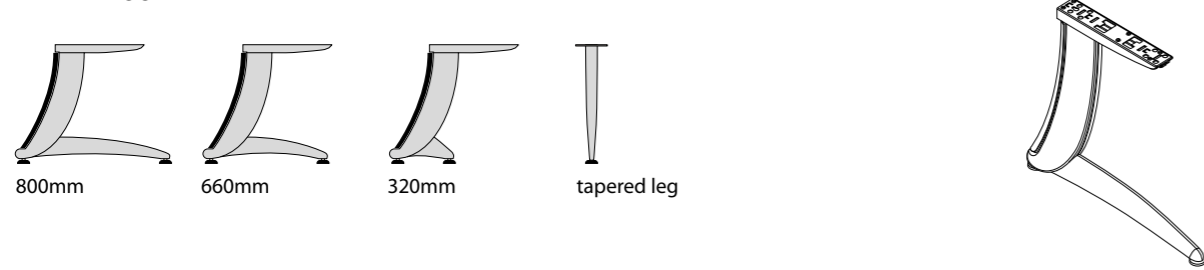


# TNT\* Technical description

## height adjustment

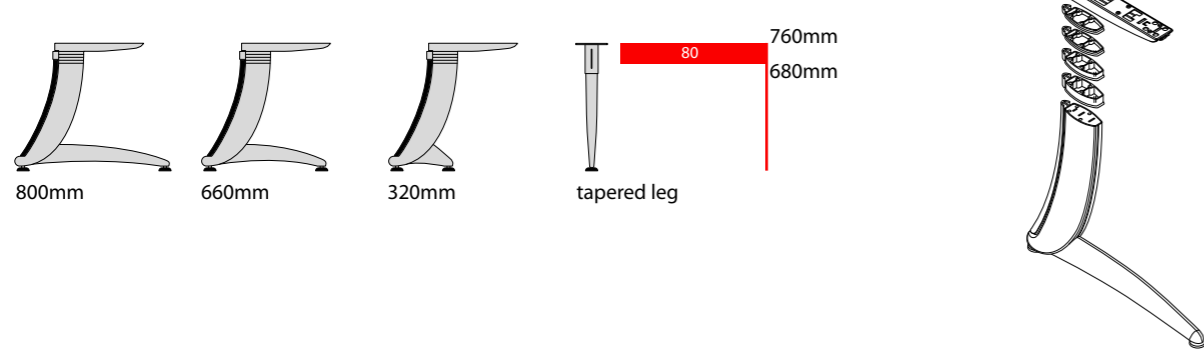
### Alpha leg - fixed height 720mm

with levelling glide +20mm

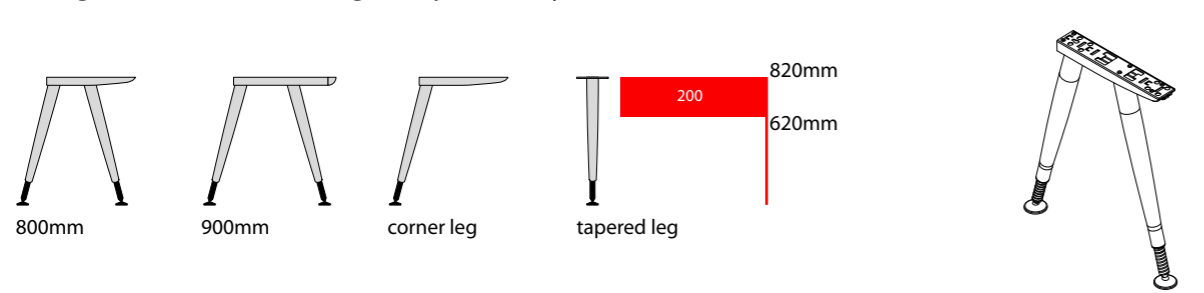


### Alpha leg - maintenance height adjustability 680 to 760mm

with levelling glide +20mm



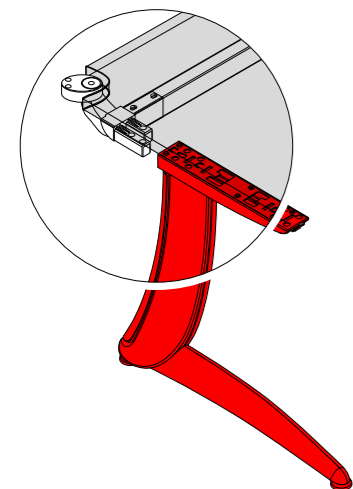
### "4-leg" - maintenance height adjustability 620 to 820mm



## connection

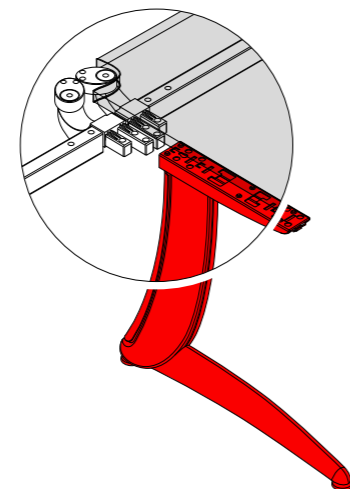
### side leg

can be Alpha 800, 660mm or 4-leg 900, 800mm depending on configurations



### shared leg

can be Alpha 800, 660, 320mm or 4-leg 900, 800mm depending on configurations



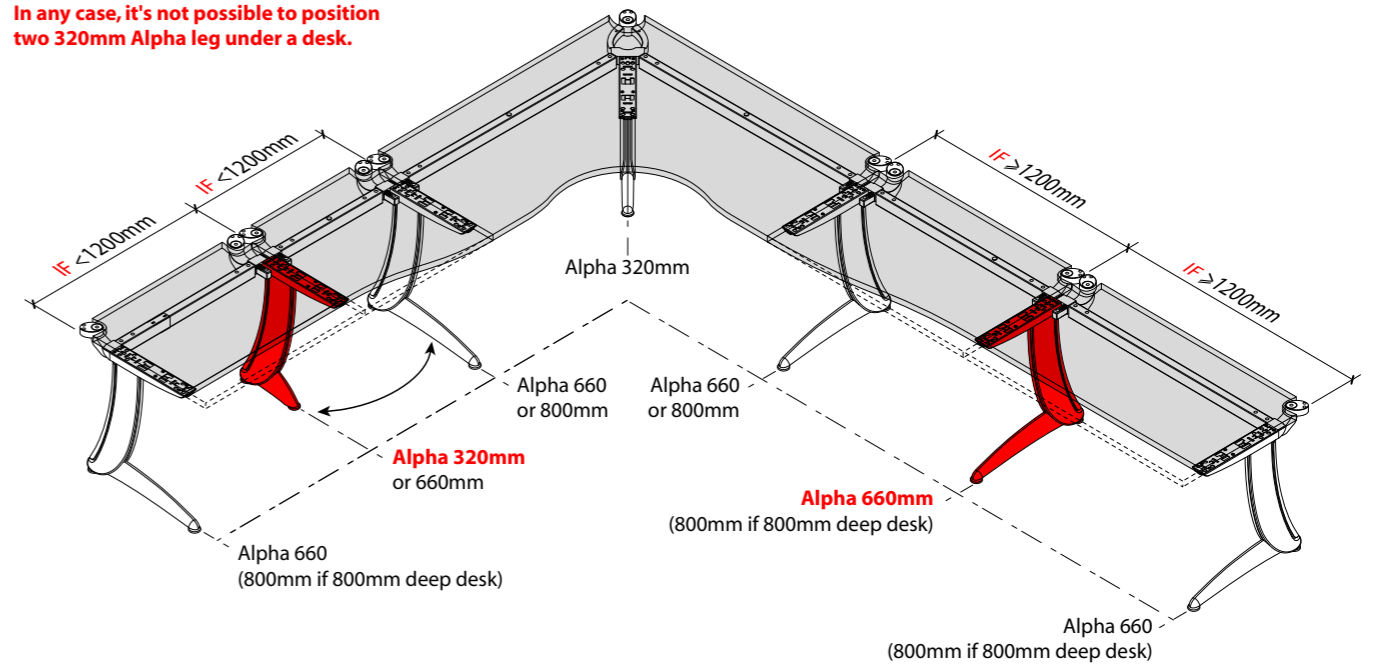
## construction rules

### shared leg rules depending on configurations

If desks width below 1200mm, 320mm Alpha leg could be shared.

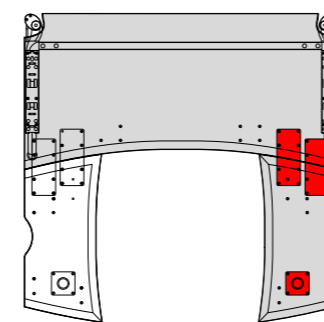
**In any case, it's not possible to position two 320mm Alpha leg under a desk.**

If desks width above 1200mm, 660mm or 800mm Alpha leg must be shared.

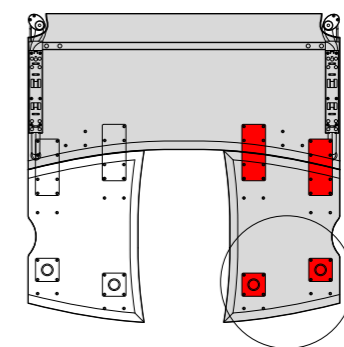


## connection plate for return & extension on compact double wave

### 400mm deep return

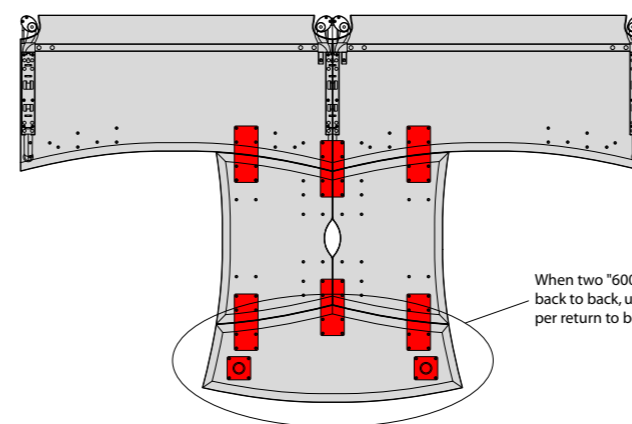


### 600mm deep return



When "desk return top" is used as a single element, two tapered legs are required.

### 600mm deep return & extension



When two "600mm desk return top" are position back to back, use leg minoration of one leg per return to be used under the extension.

### connection plate for return & extension on compact double wave

